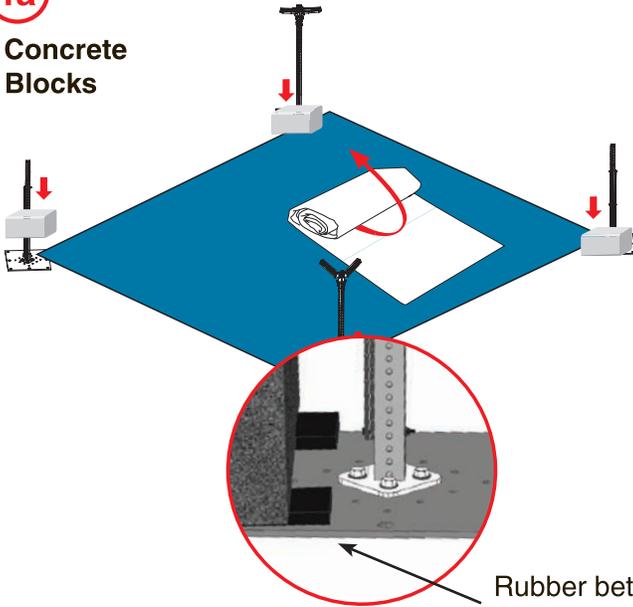


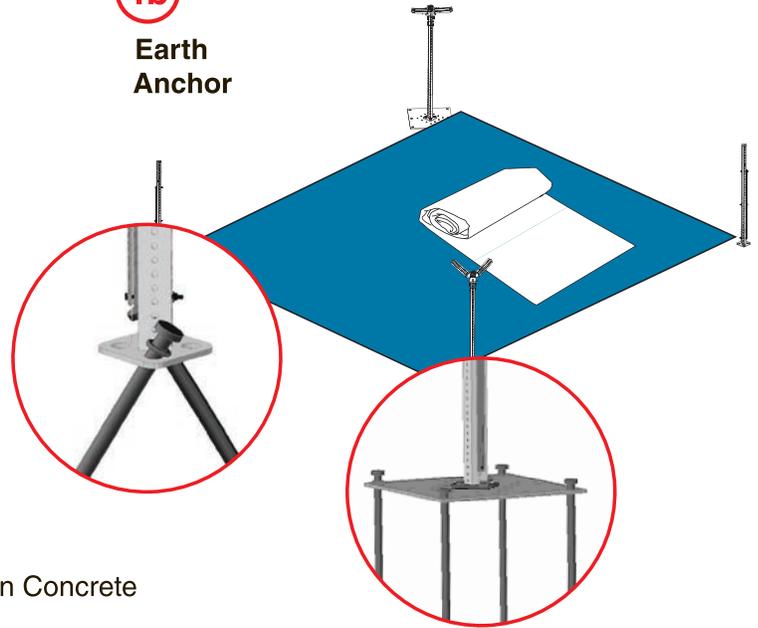
## Scan code for Video Installation

1. Download any QR reader app on your phone
2. Scan the QR Code to the left

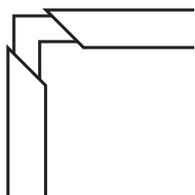
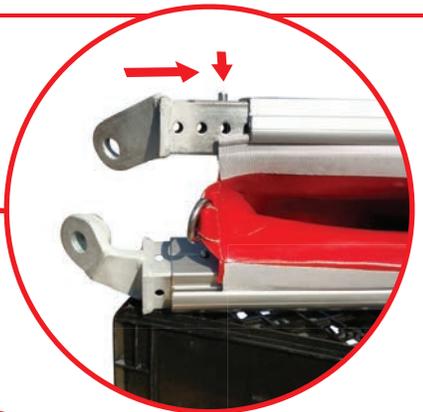
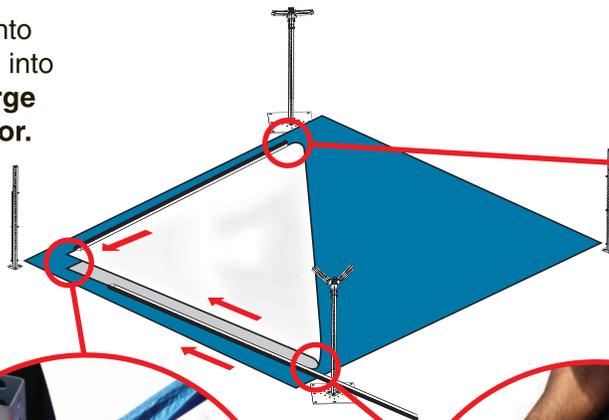
Or visit: [goo.gl/kEWxKA](http://goo.gl/kEWxKA)

**1a****Concrete Blocks**

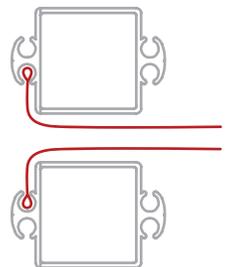
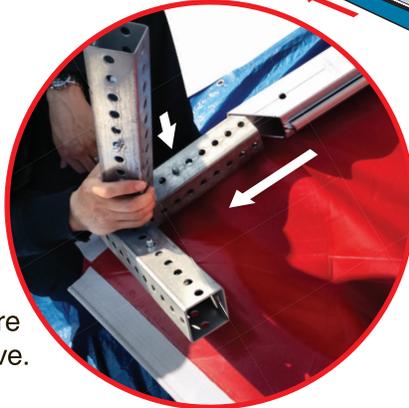
Rubber between Concrete and base plate

**1b****Earth Anchor****2**

Insert upper and lower beams into fabric keder track. Insert hinges into the beams. **Ensure that the large hinge is facing the tent exterior.**



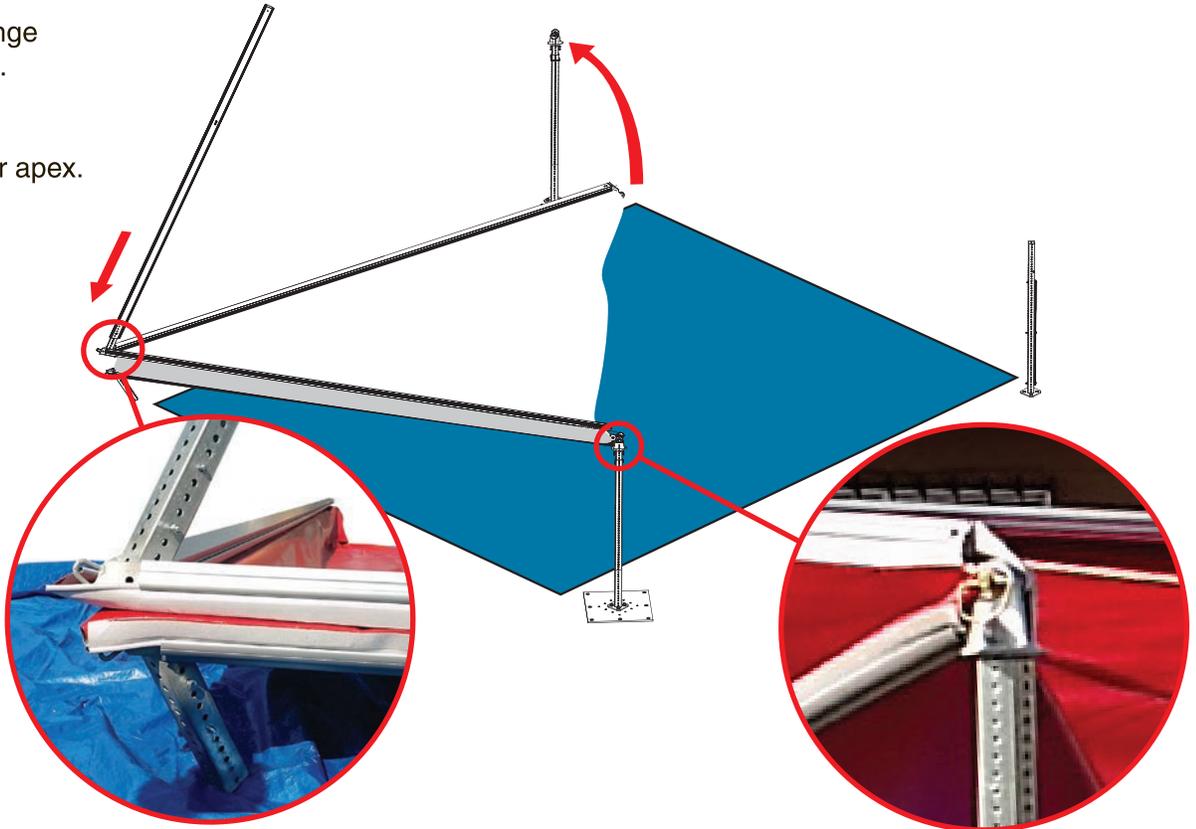
Ensure that the corner beams are oriented as above.



3

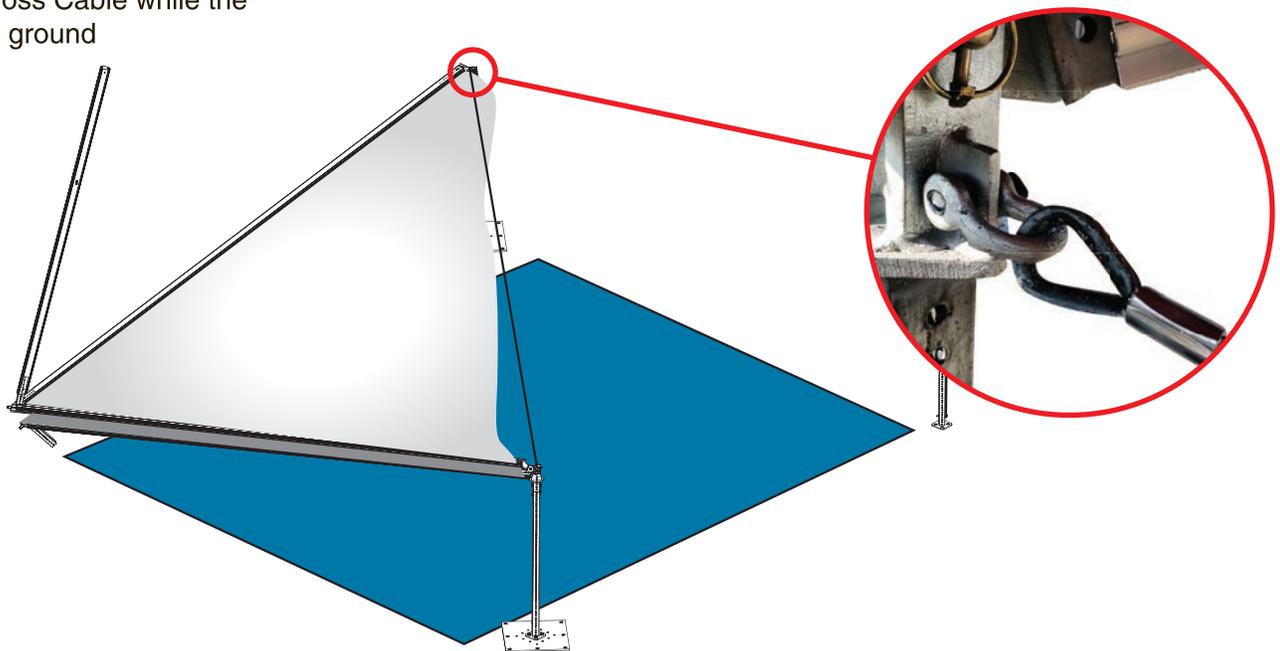
Lift up completed hinge and connect to base.  
Secure with pin.

Connect leg to upper apex.



4

Attach the Cross Cable while the tent is on the ground

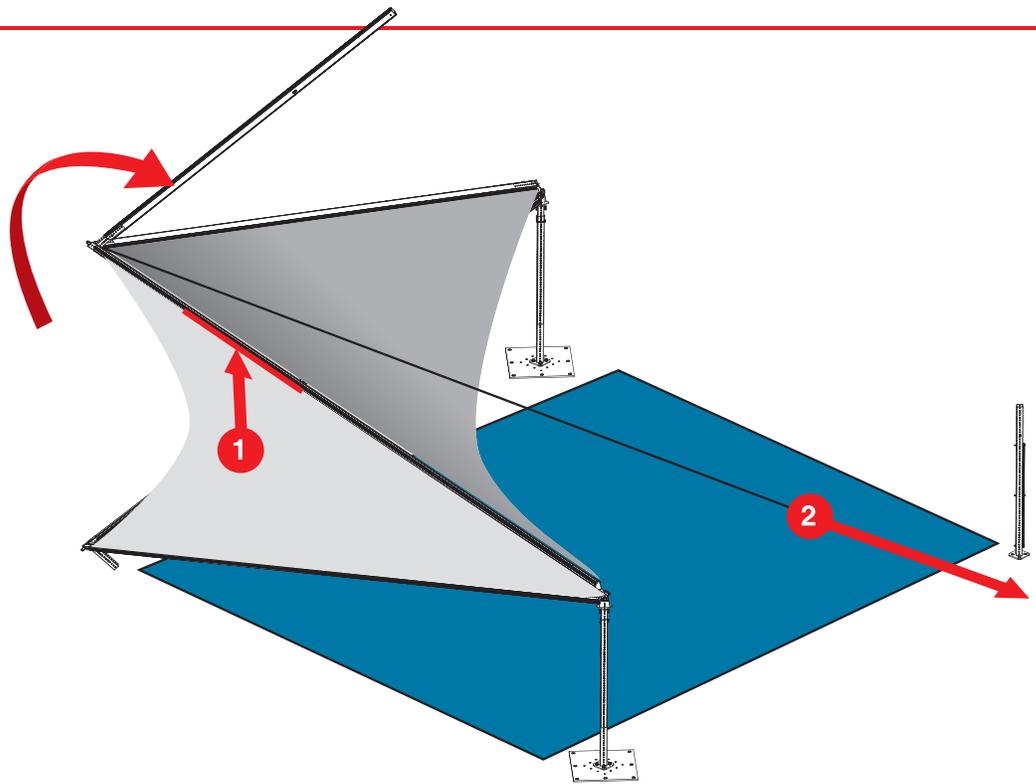


**5**

Attach rope to apex of tent. Pull rope to raise the top and assist by pushing the upper beams upward.

Once tent is fully pulled over, connect remaining two legs.

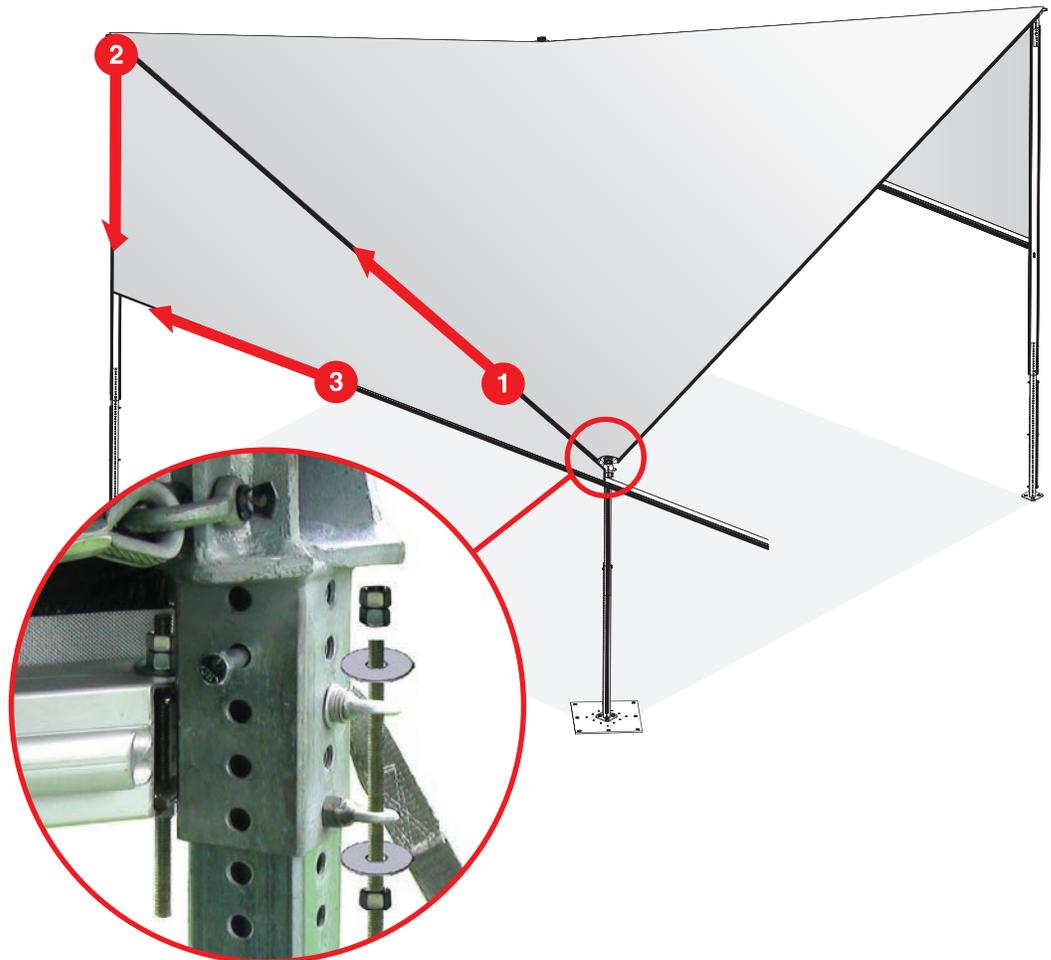
*\*\*If the tent is not pushed up, the correct angle is not achieved and cannot be raised.*



**6**

**Gable Installation**

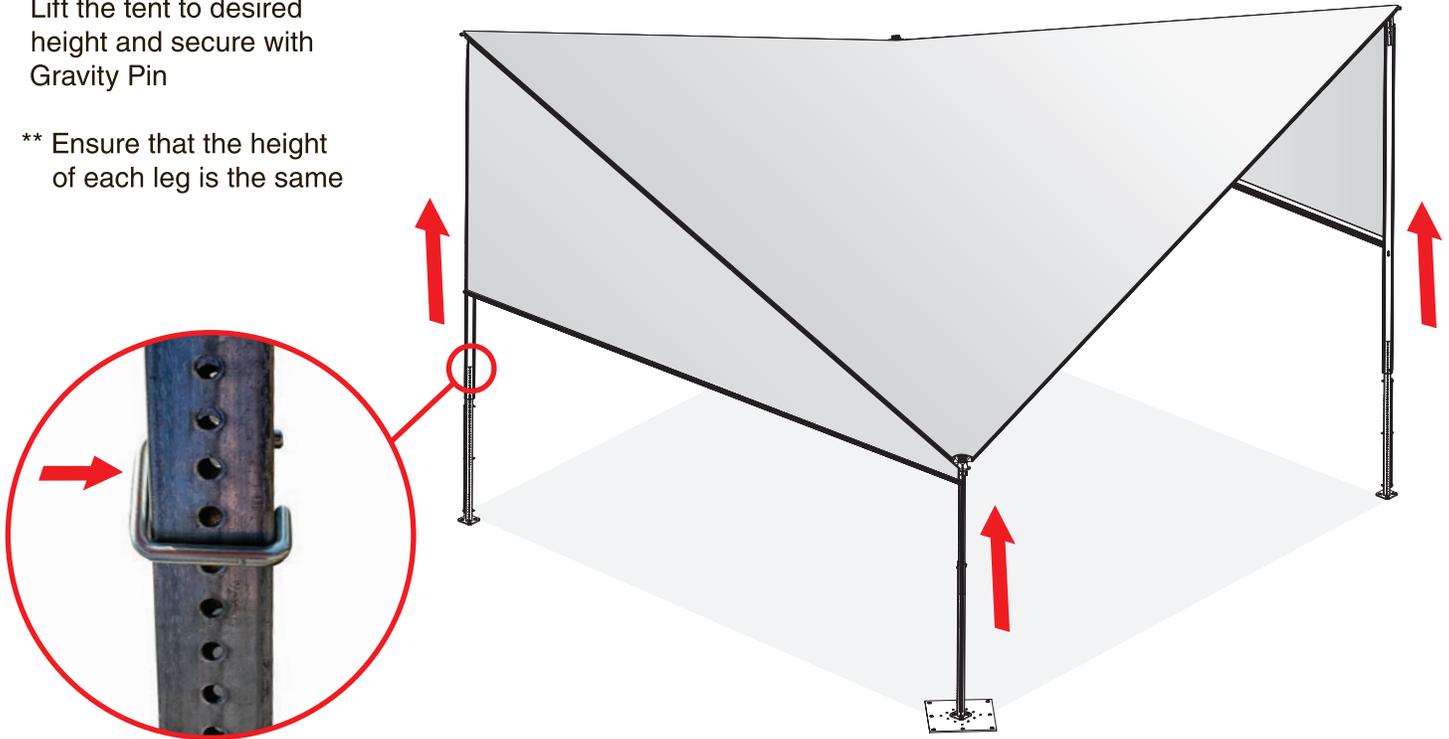
1. Insert gable into lowest point of tent near the base and fully pull over.
2. Using a ladder, pull the gable corner down from the Apex.
3. Insert Perlin, connect to each side and tighten.



7

Lift the tent to desired height and secure with Gravity Pin

\*\* Ensure that the height of each leg is the same



8

## Wall Installation

1. Insert horizontal keder track of wall into the Purlin.
2. Pull up the lower end of the wall and insert in the keder track at the top of the beam.
3. Zip the wall down
4. Insert tension bar into wall pocket and tighten using the webbing & anchor winch

