

| Part # | DESCRIPTION | PAGE | REV |
|-----------|-------------------------------|--------|-----|
| 70.63.108 | POLEADION P60 QUICK REF GUIDE | 1 of 5 | 2.5 |



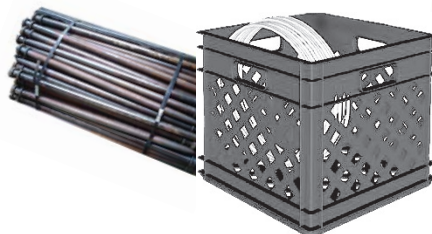
Poleadion P60

QUICK REFERENCE GUIDE

Assembly & Installation



Video
Installation

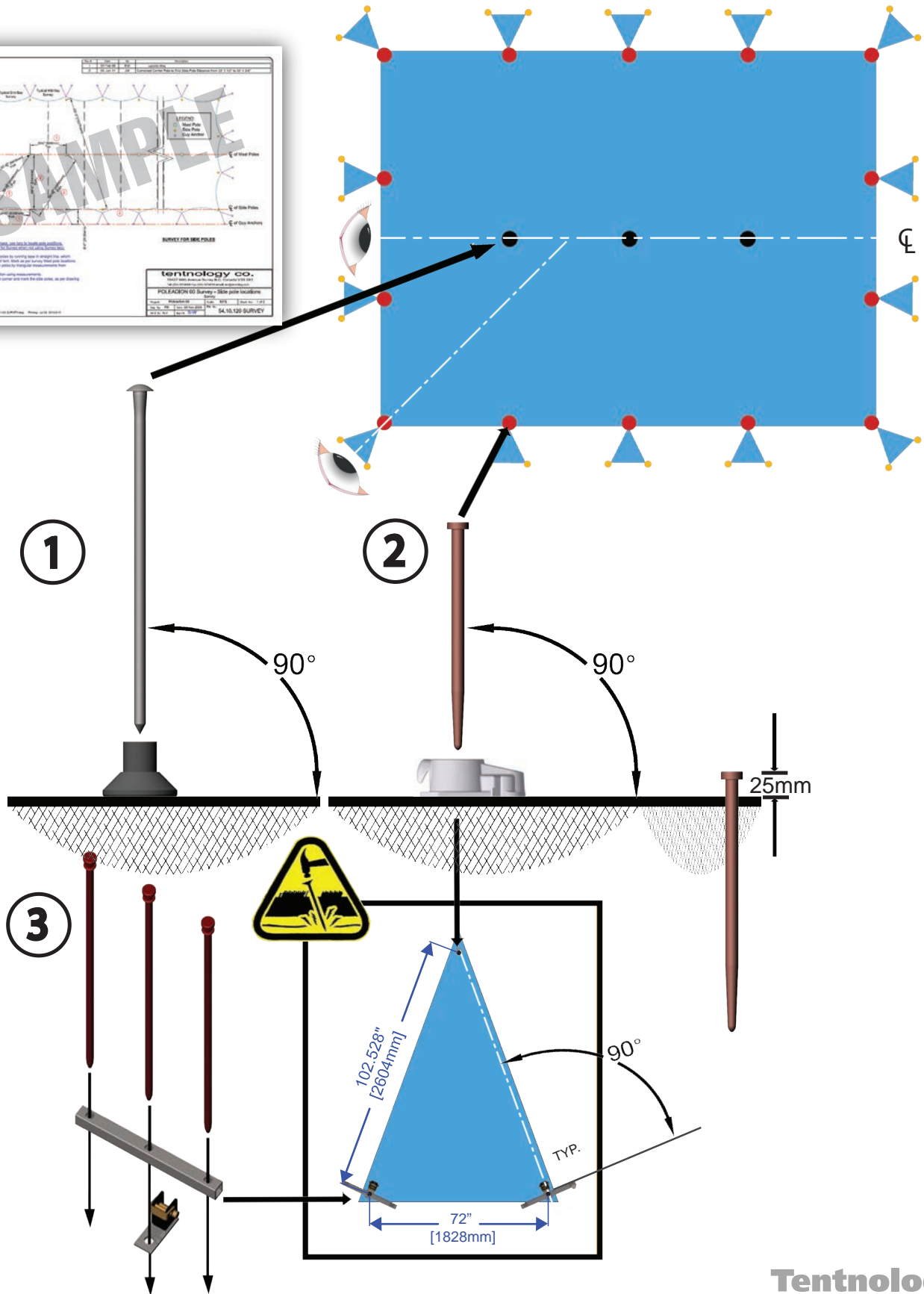
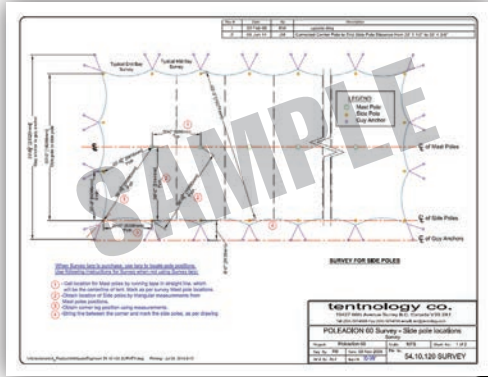


Without Survey Tarp

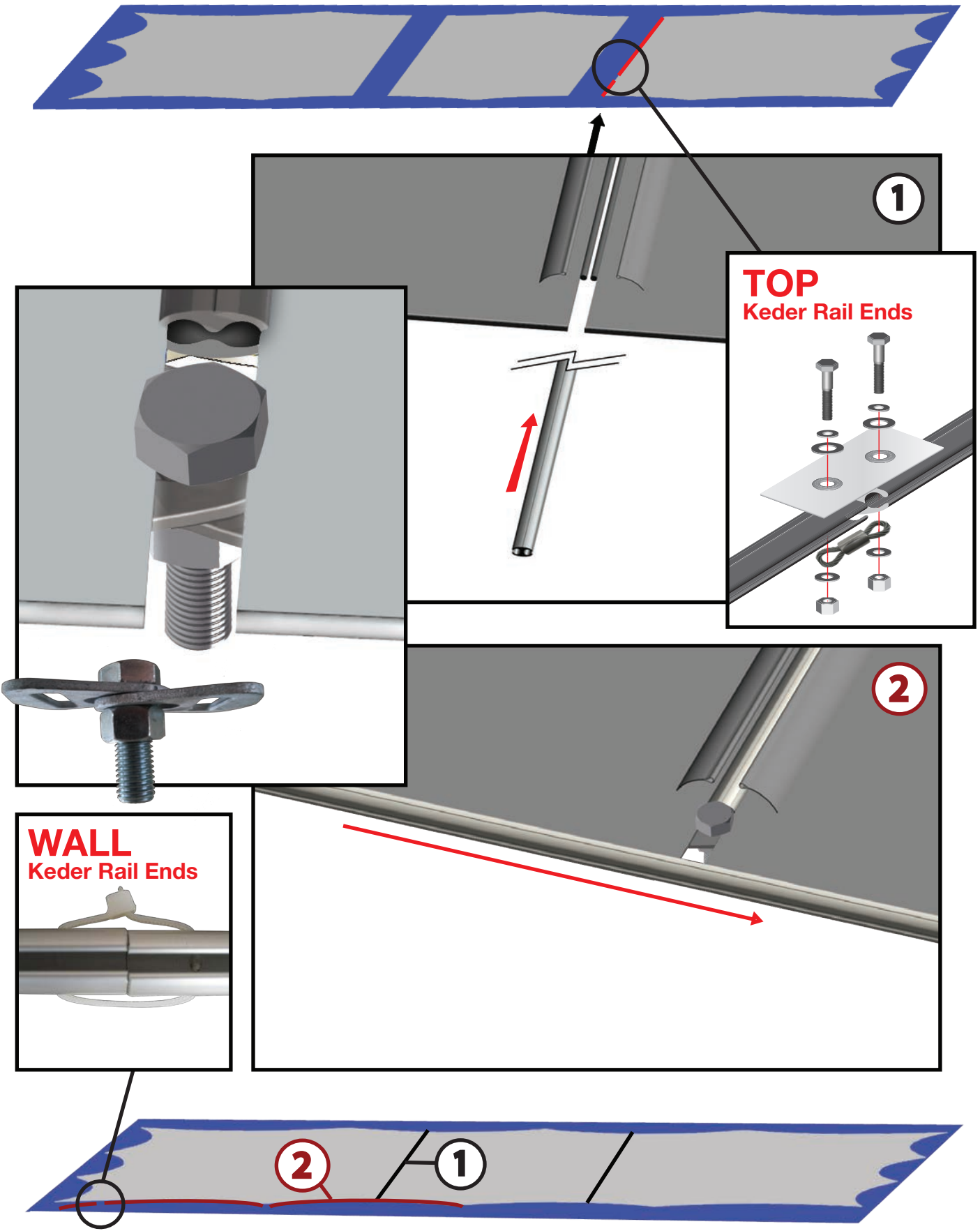
Use the Survey sheet provided to determine the location of legs and load binders

With Survey Tarp

Lay out flat and mark the locations for legs and load binders



| Part # | DESCRIPTION | PAGE | REV |
|-----------|-------------------------------|--------|-----|
| 70.63.108 | POLEADION P60 QUICK REF GUIDE | 3 of 5 | 2.5 |



| Part # | DESCRIPTION | PAGE | REV |
|-----------|-------------------------------|--------|-----|
| 70.63.108 | POLEADION P60 QUICK REF GUIDE | 4 of 5 | 2.5 |



| Part # | DESCRIPTION | PAGE | REV |
|-----------|-------------------------------|--------|-----|
| 70.63.108 | POLEADION P60 QUICK REF GUIDE | 5 of 5 | 2.5 |

