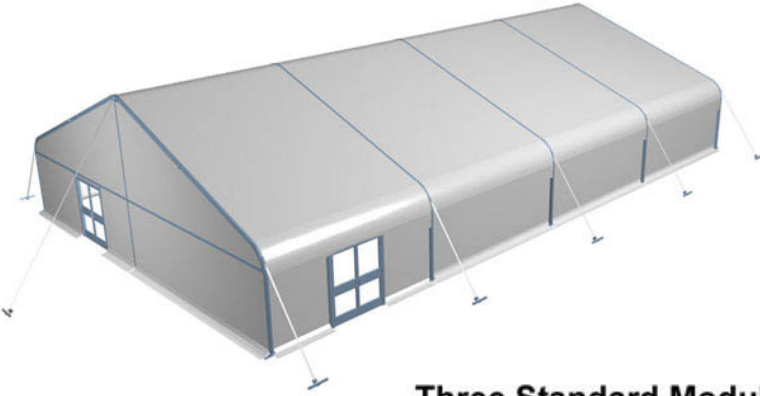


Part #	DESCRIPTION	Rev	PAGE
70.63.100	TSpan Quick Guide	7.0	1 of 15

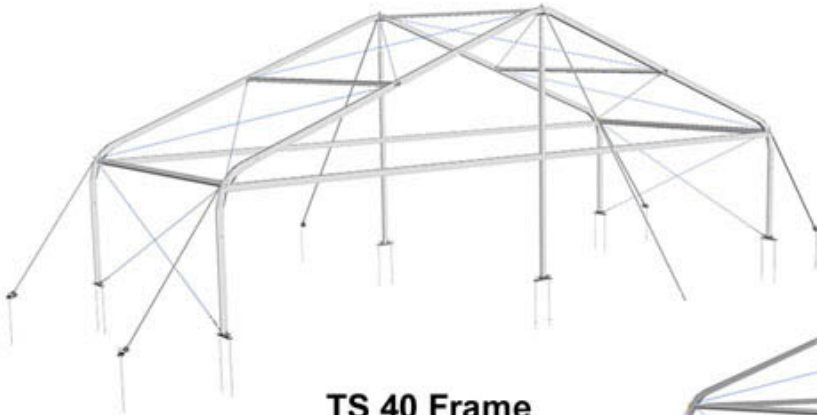


# QUICK REFERENCE GUIDE

## T-Span | T-Peak Assembly & Installation



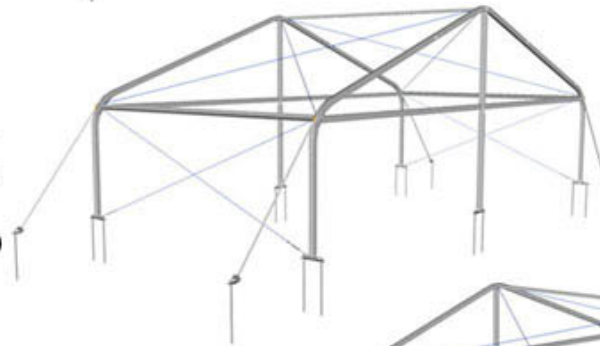
**Three Standard Modular Systems**  
20ft (6.096m) modules



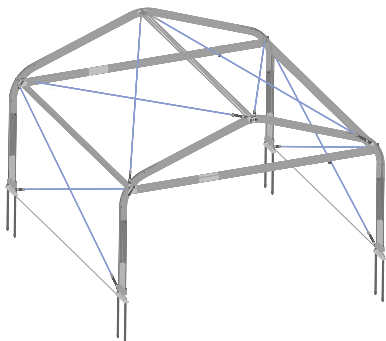
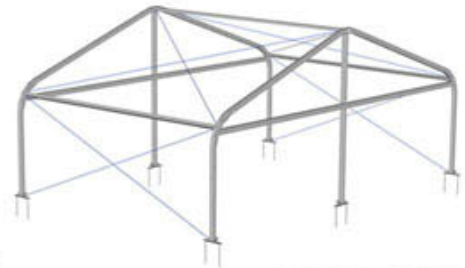
**TS 50 Frame**  
*with Optional Storm Guys*  
One set of Diagonal cables  
for every 5 modules  
(shown with Earth Anchors)



**TS 40 Frame**  
*with Optional Storm Guys*  
One set of Diagonal cables  
for every 5 modules  
(shown with Earth Anchors)

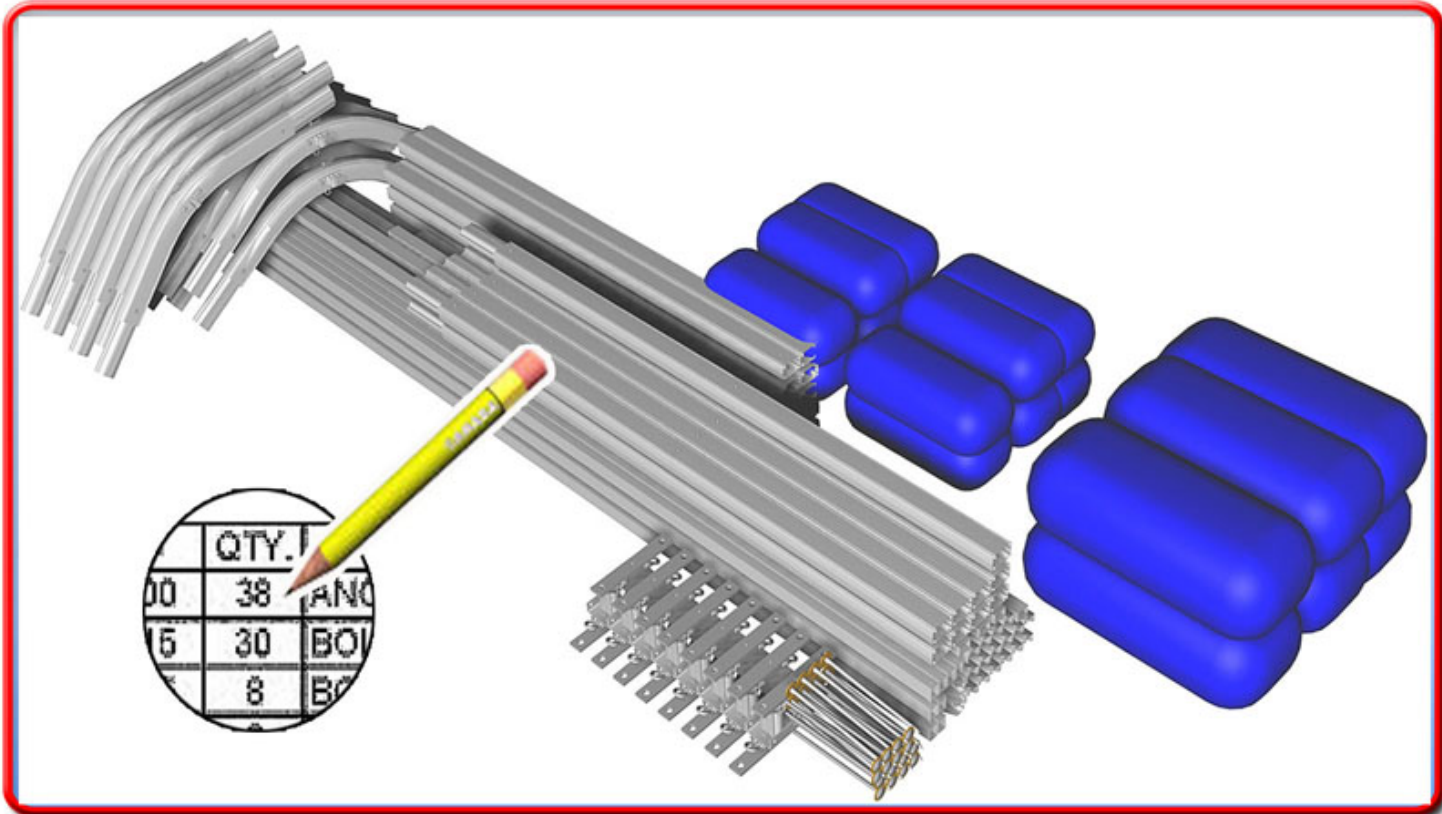
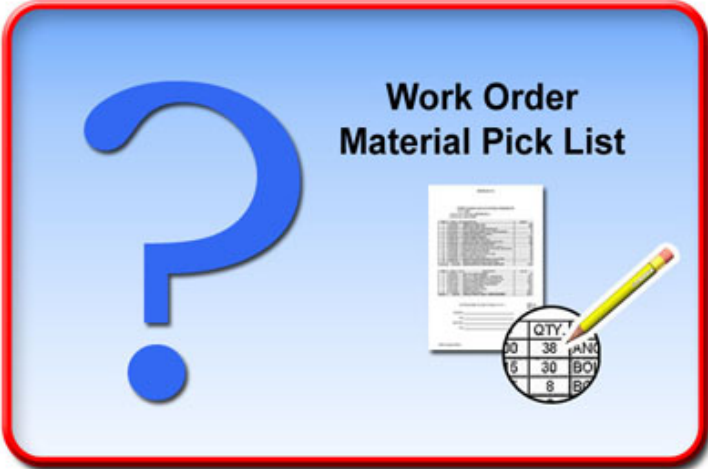


**TS 30 Frame**  
*NO Storm Guys*  
One set of Diagonal cables  
for every 5 modules  
(shown with Earth Anchors)

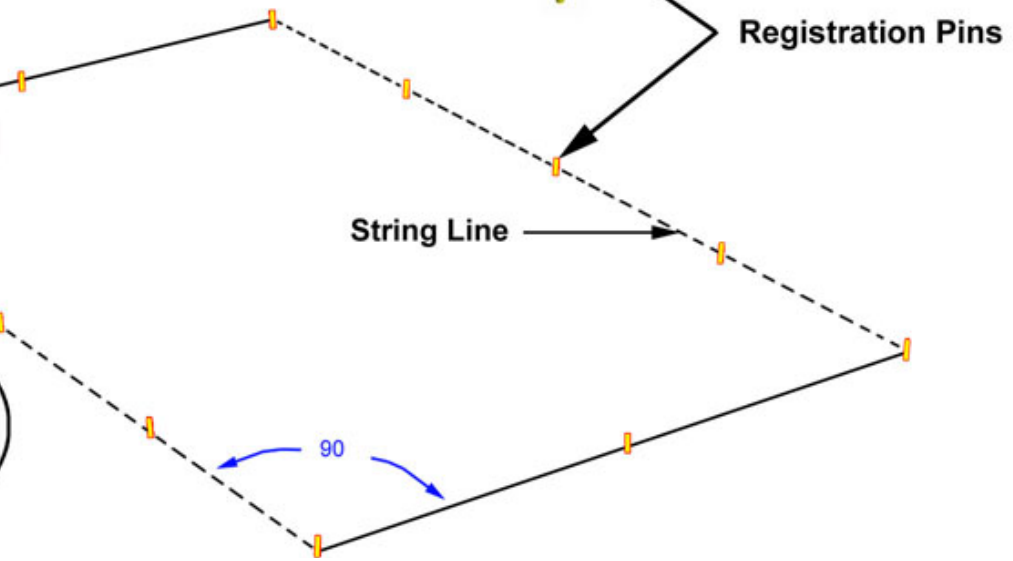
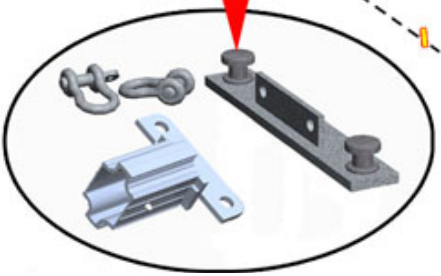
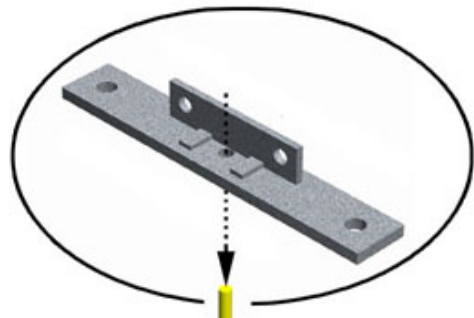
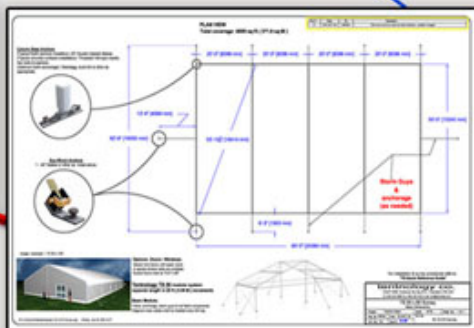
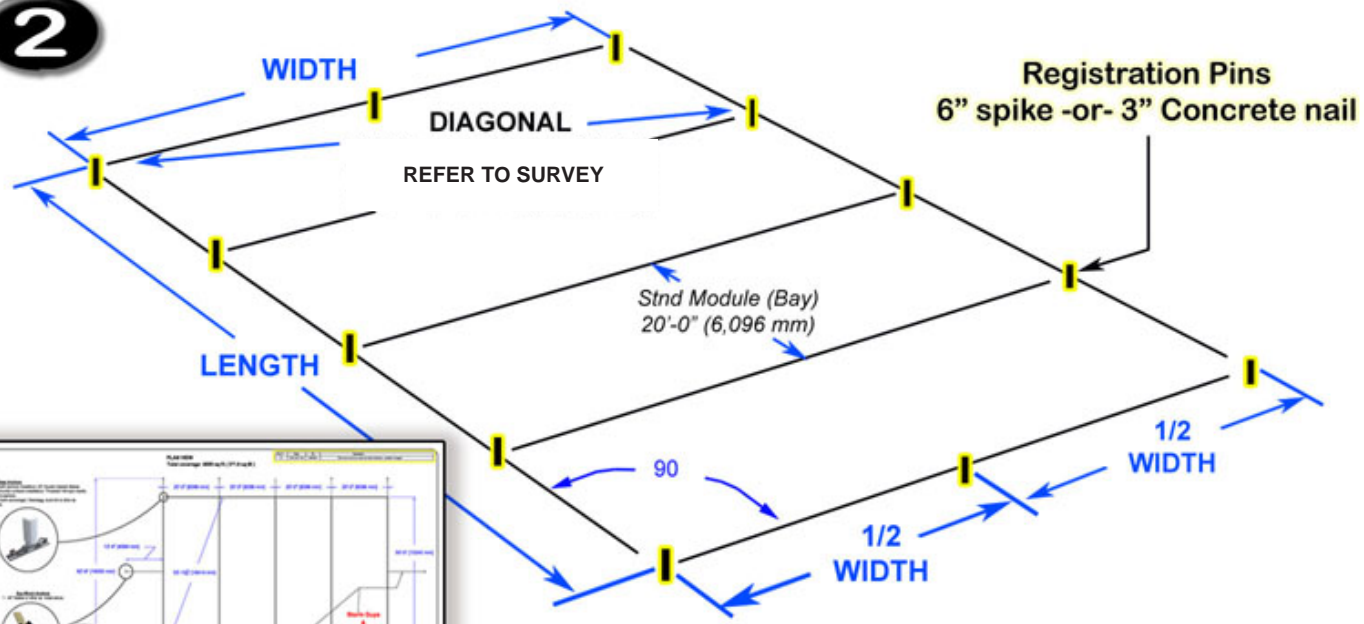


**TS 20 Frame**  
*NO Storm Guys*  
One set of Diagonal cables  
for every 5 modules  
(shown with Earth Anchors)

**1**

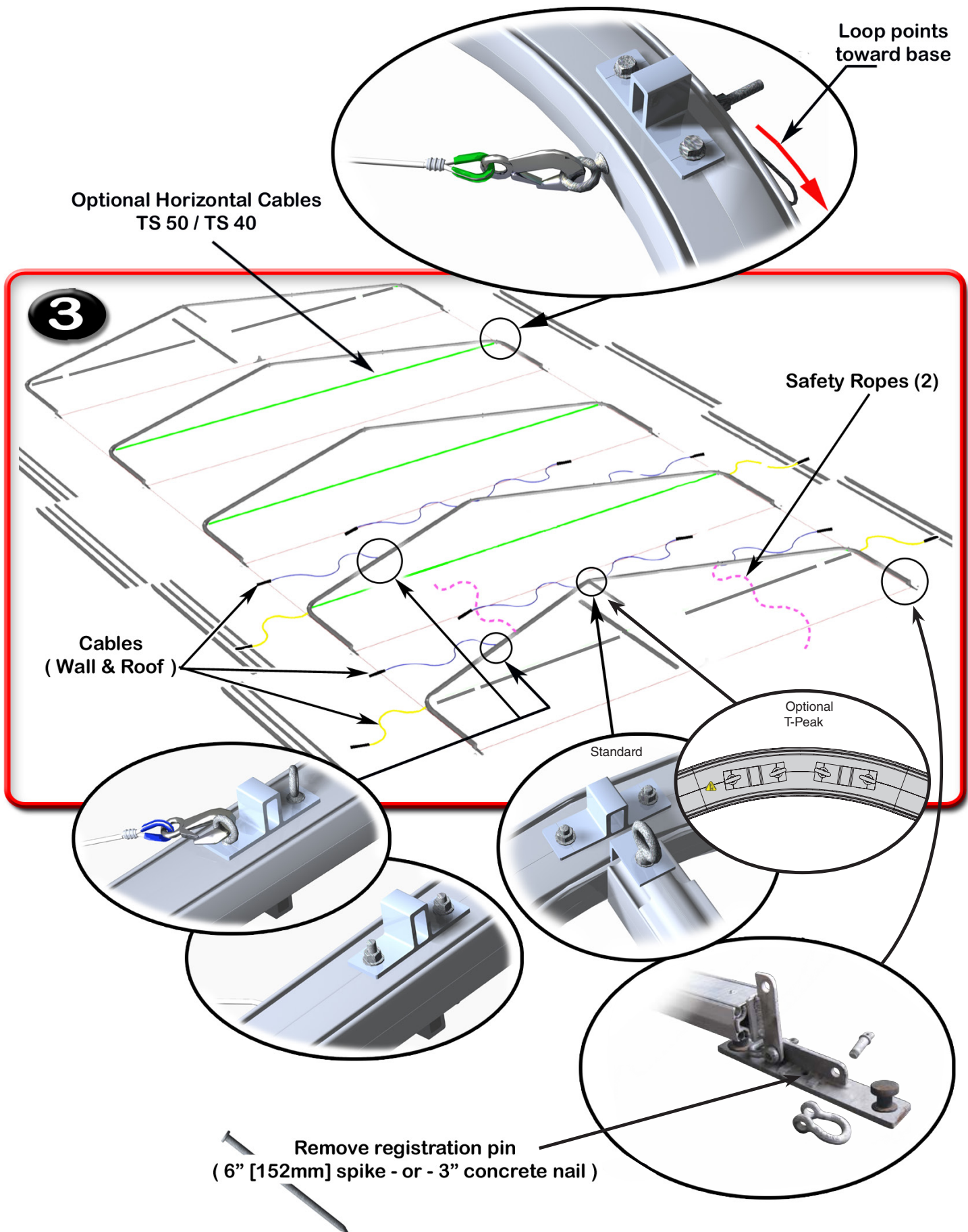


**2**

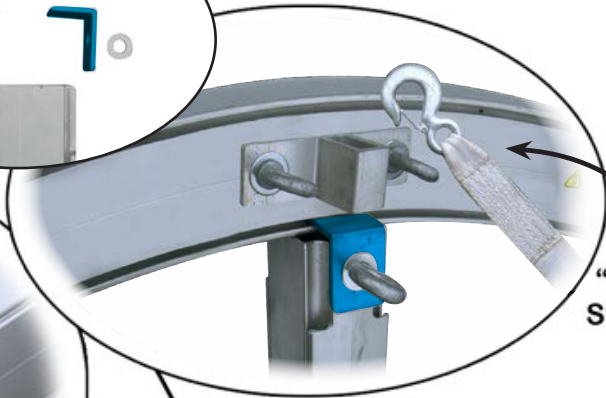
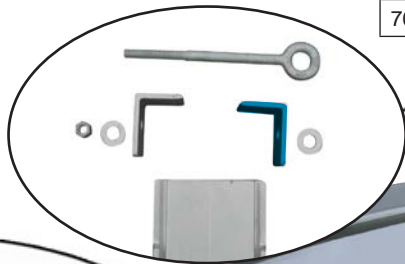




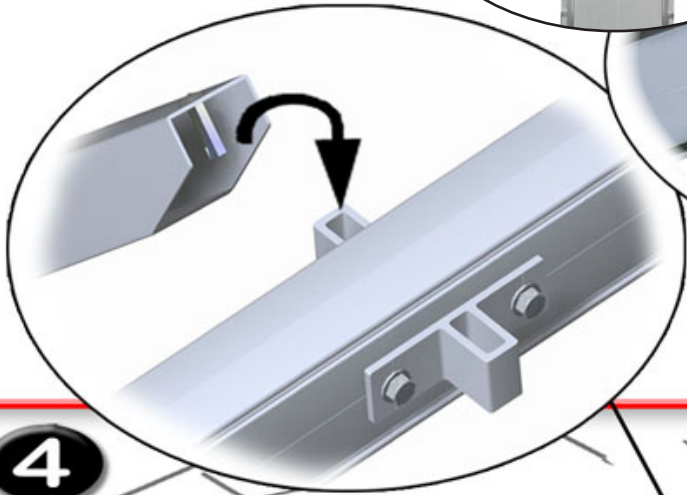
Part #	DESCRIPTION	Rev	PAGE
70.63.100	TSpan Quick Guide	7.0	4 of 15



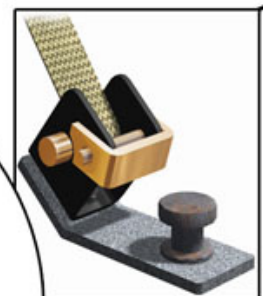
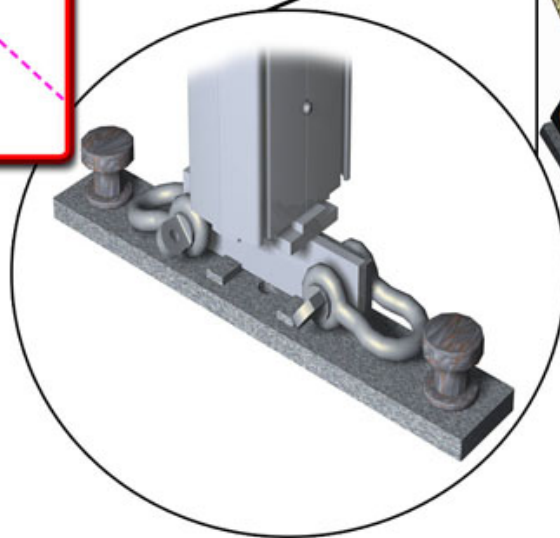
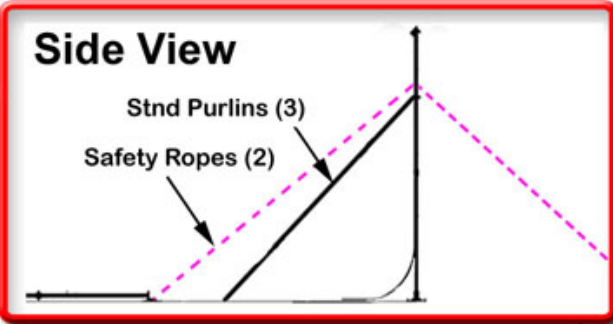
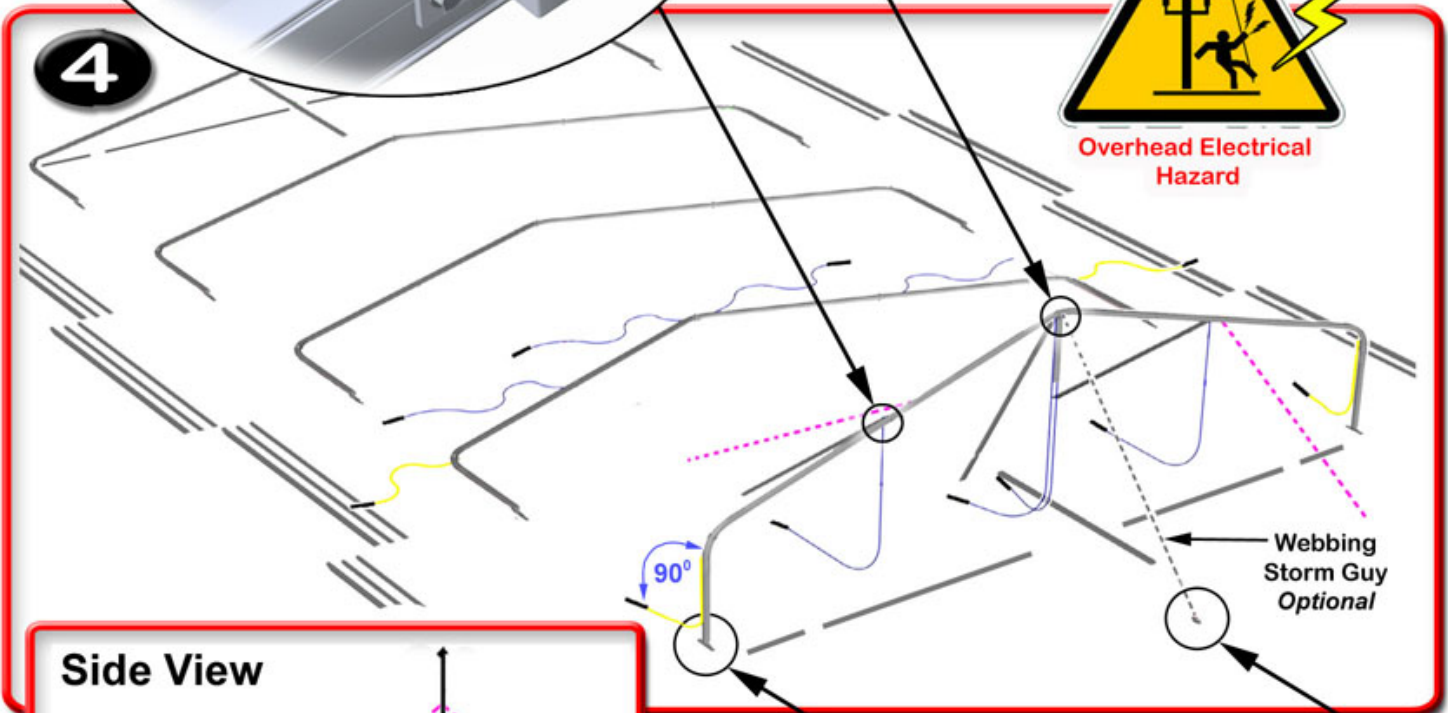
Part #	DESCRIPTION	Rev	PAGE
70.63.100	TSpan Quick Guide	7.0	5 of 15

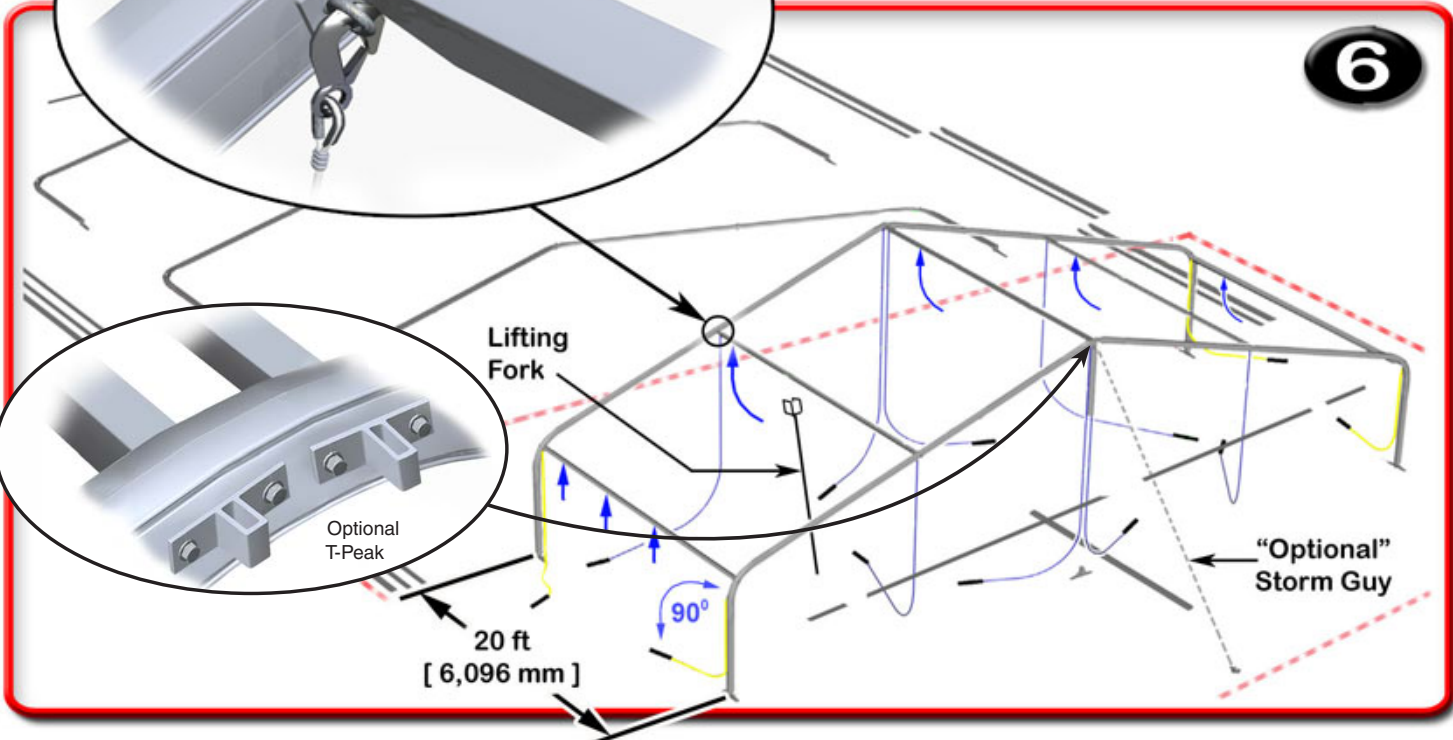
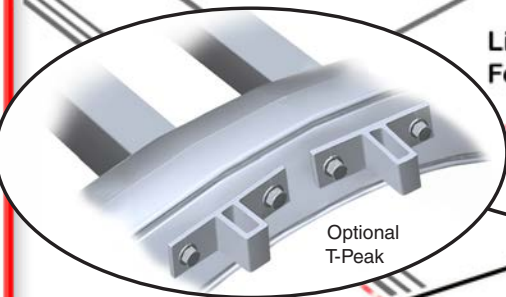
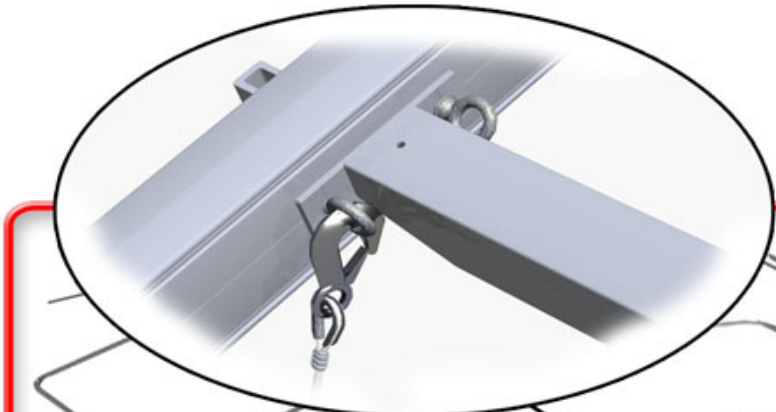
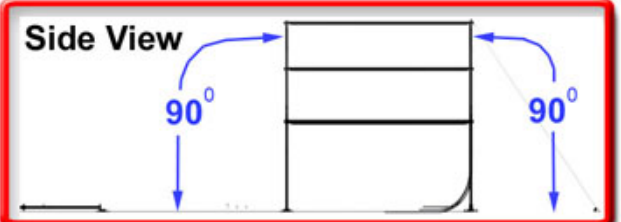
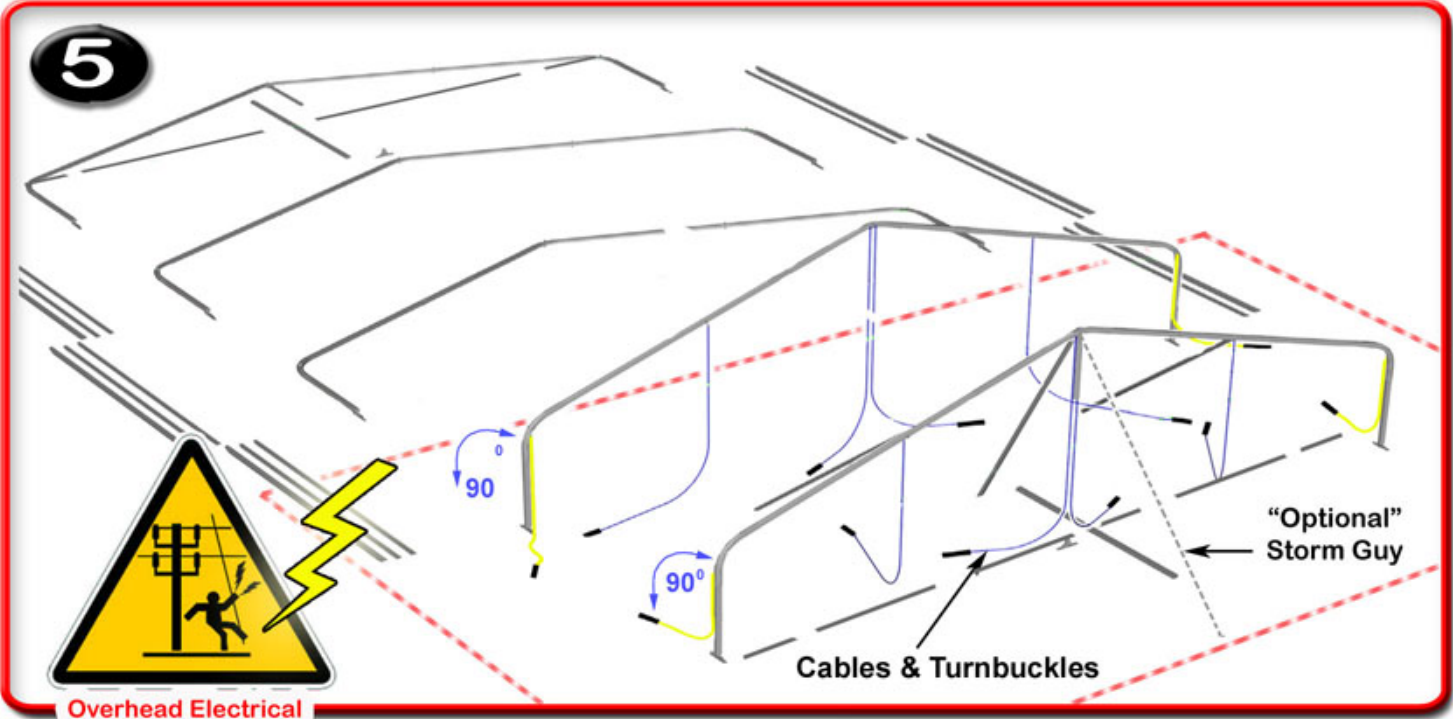


"Optional"  
Storm Guys  
TS 50



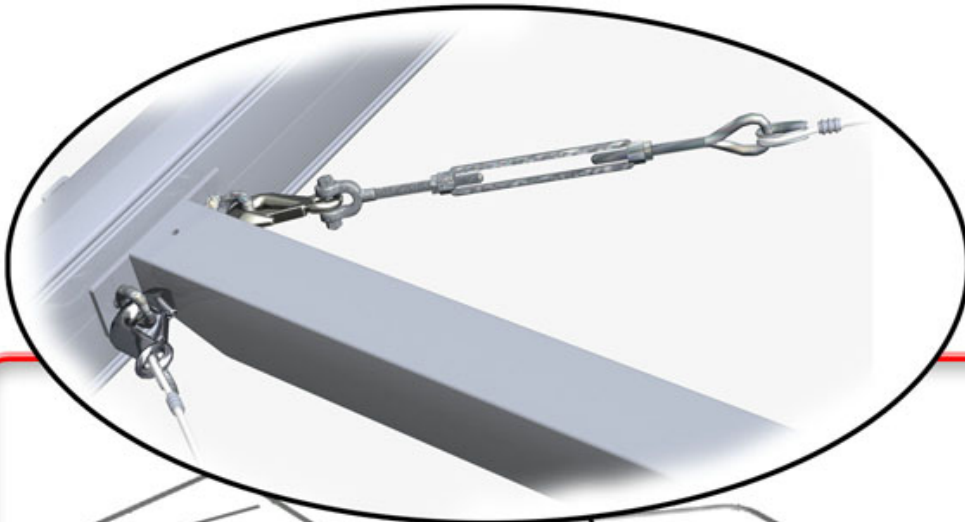
Overhead Electrical  
Hazard



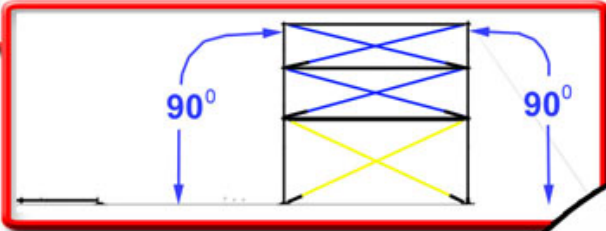
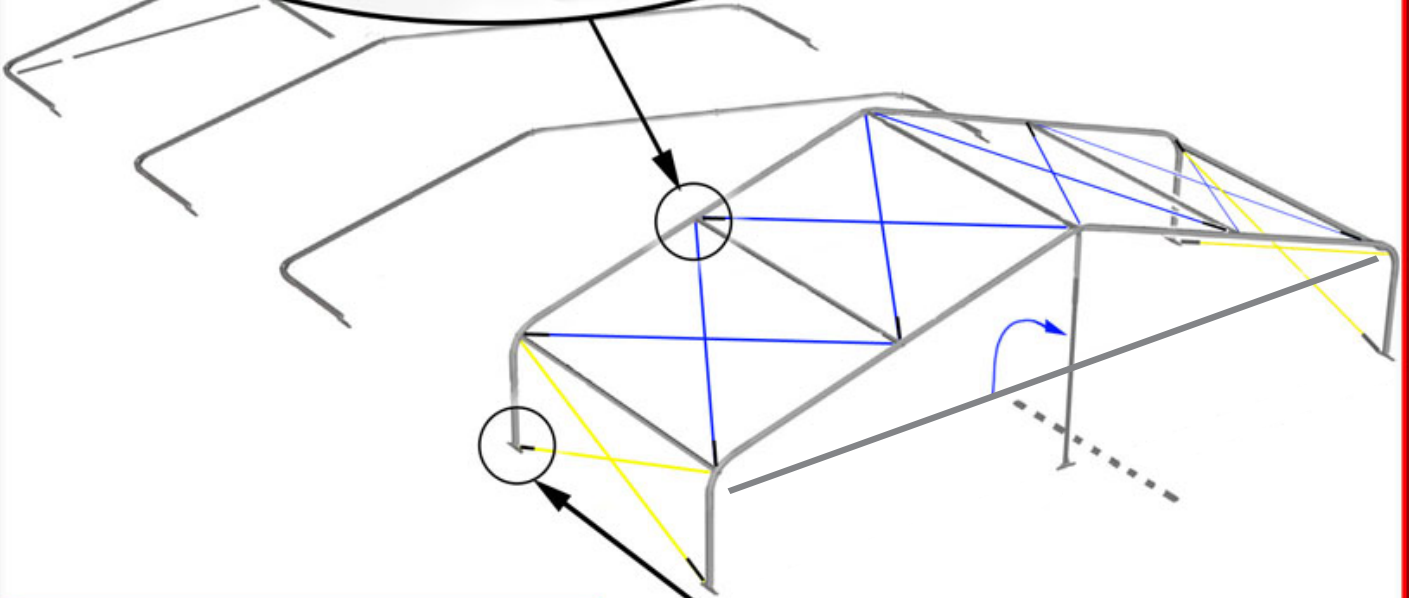




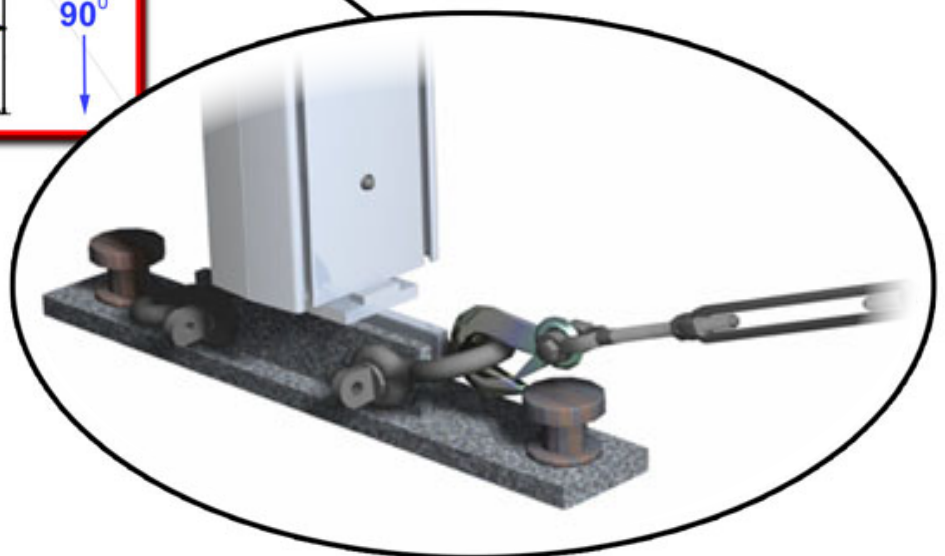
Part #	DESCRIPTION	Rev	PAGE
70.63.100	TSpan Quick Guide	7.0	7 of 15

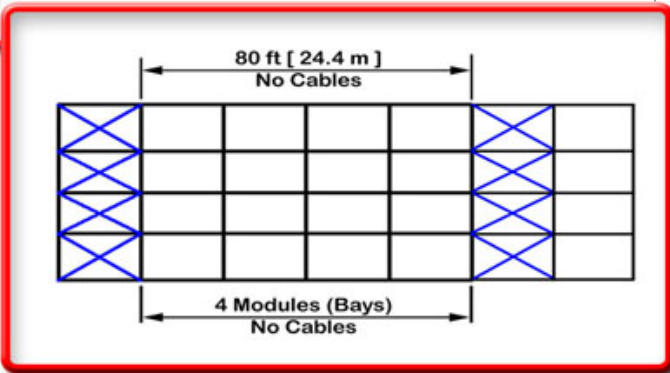
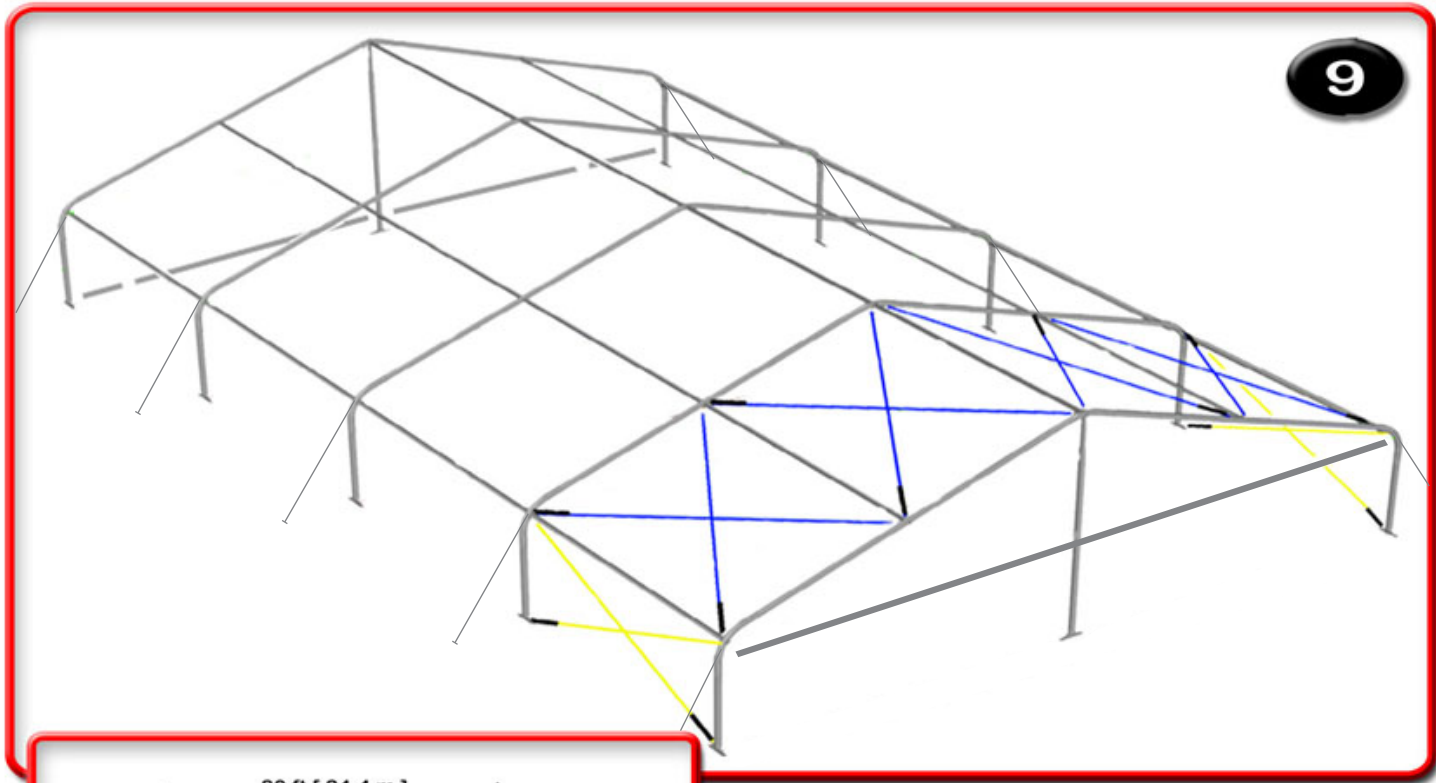
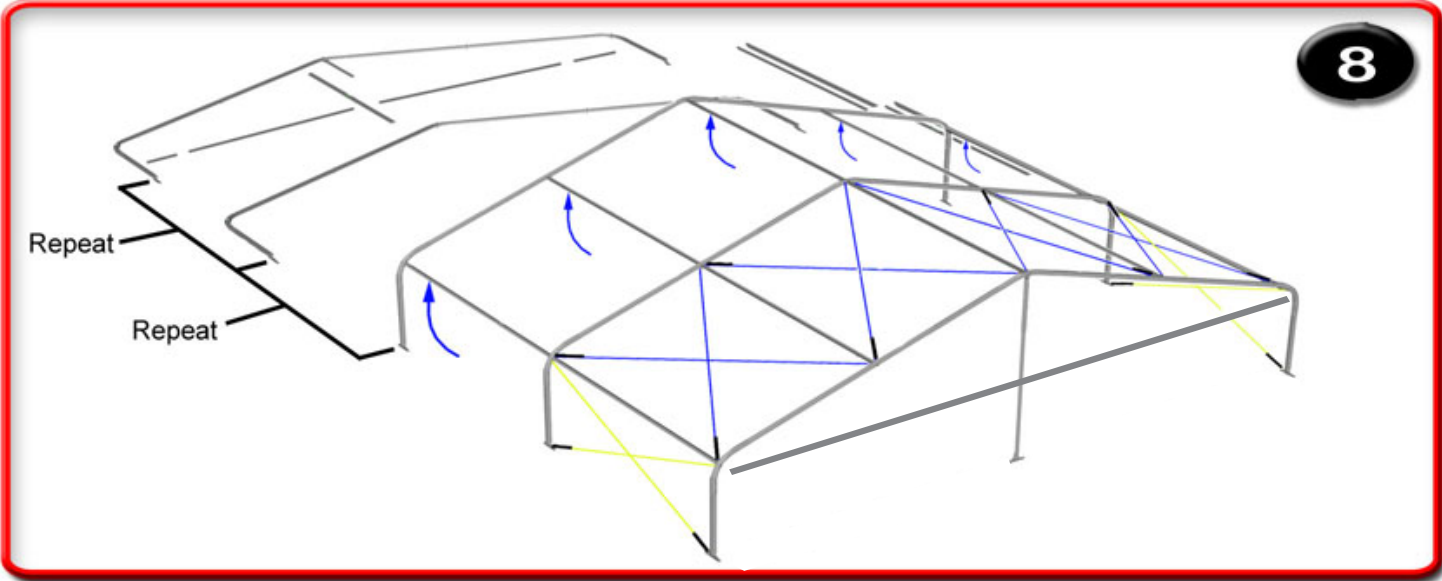


**7**

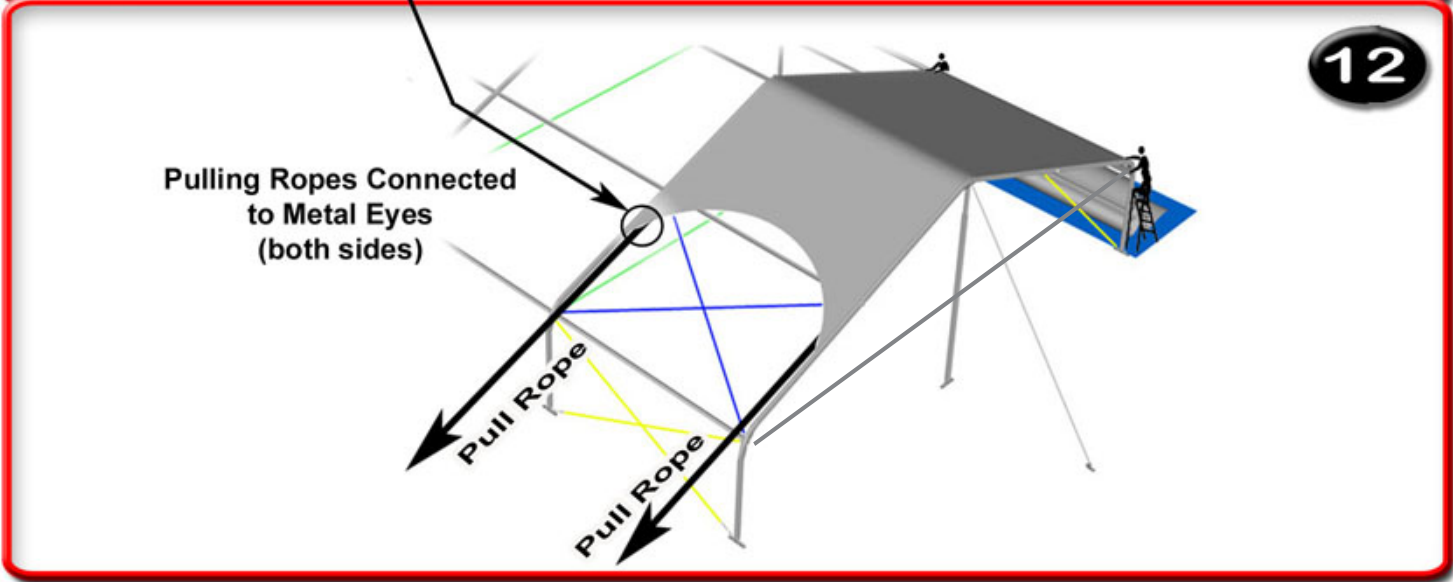
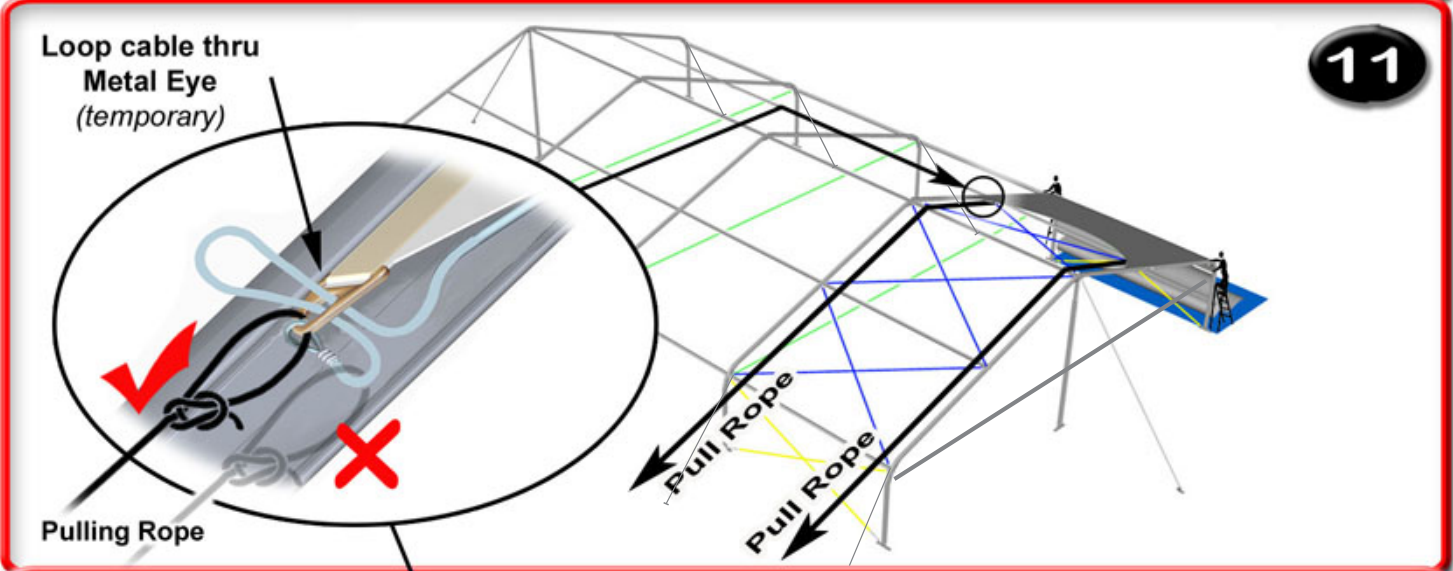
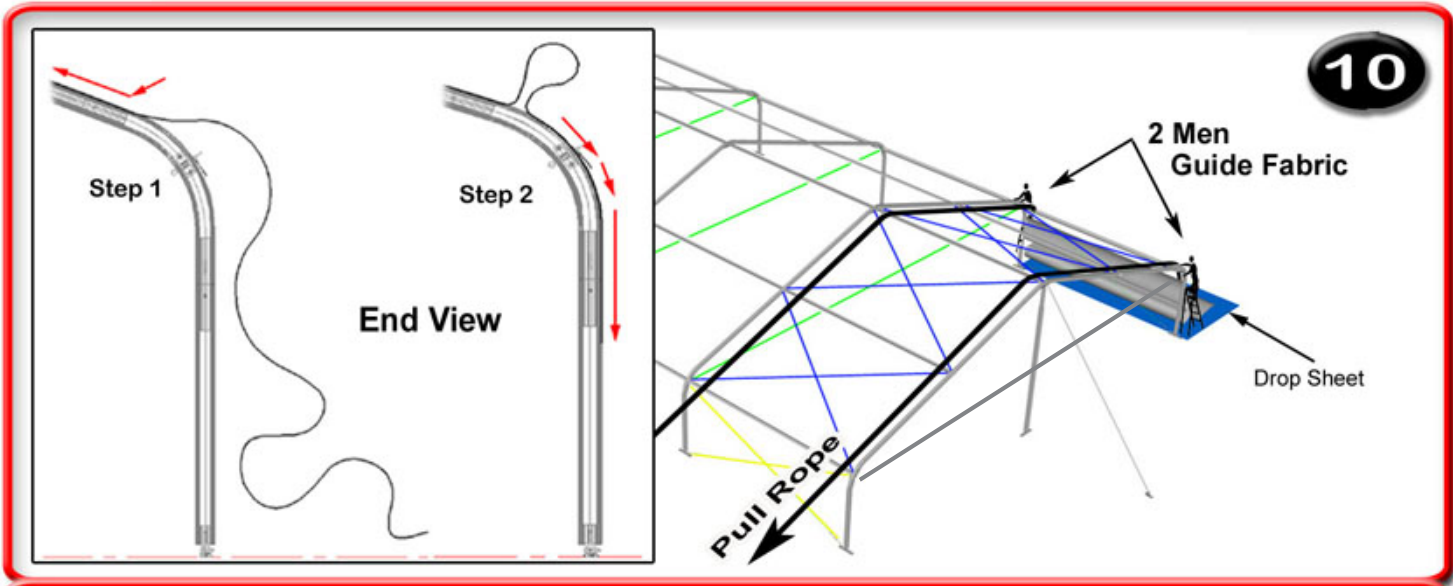


Side View



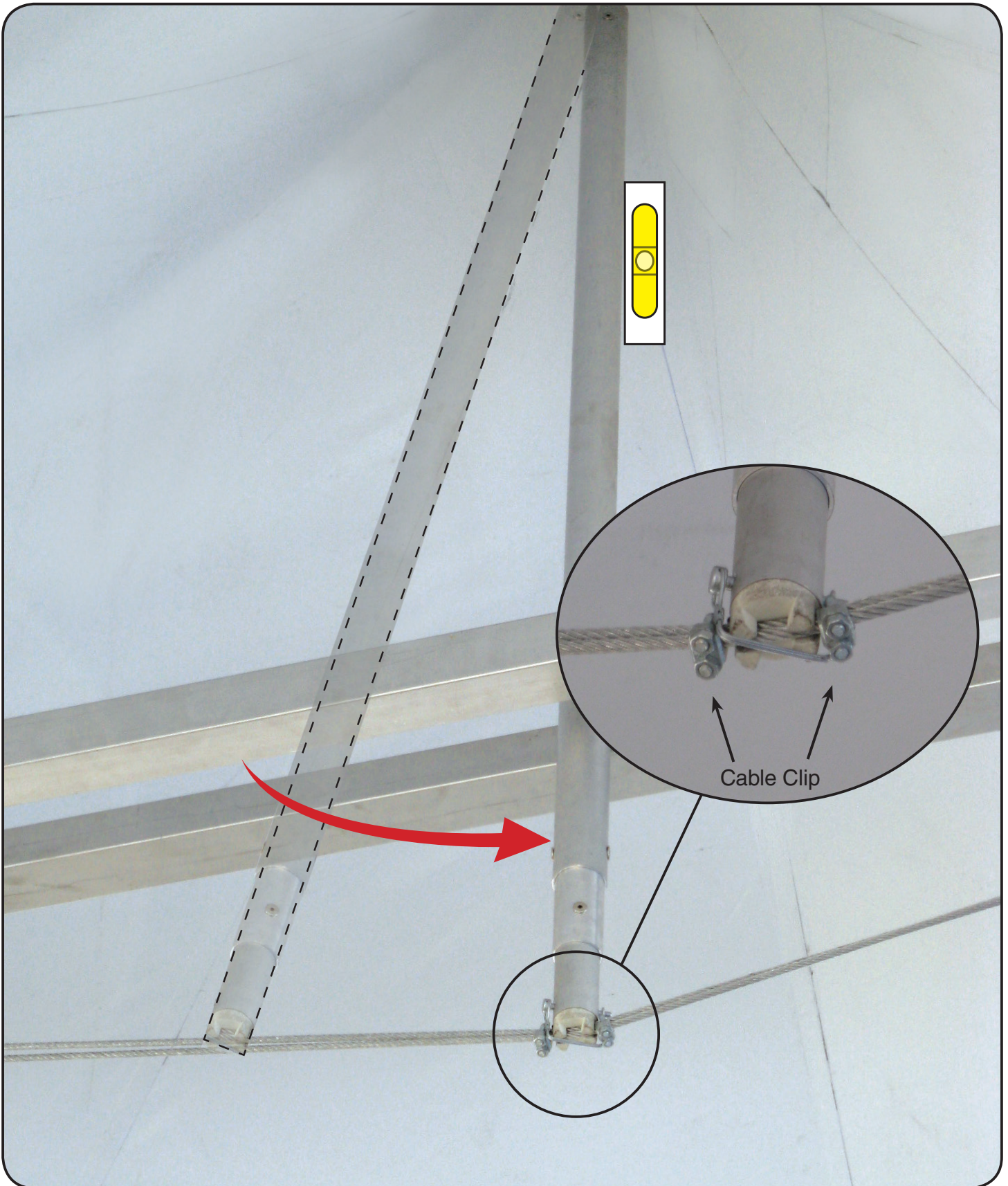






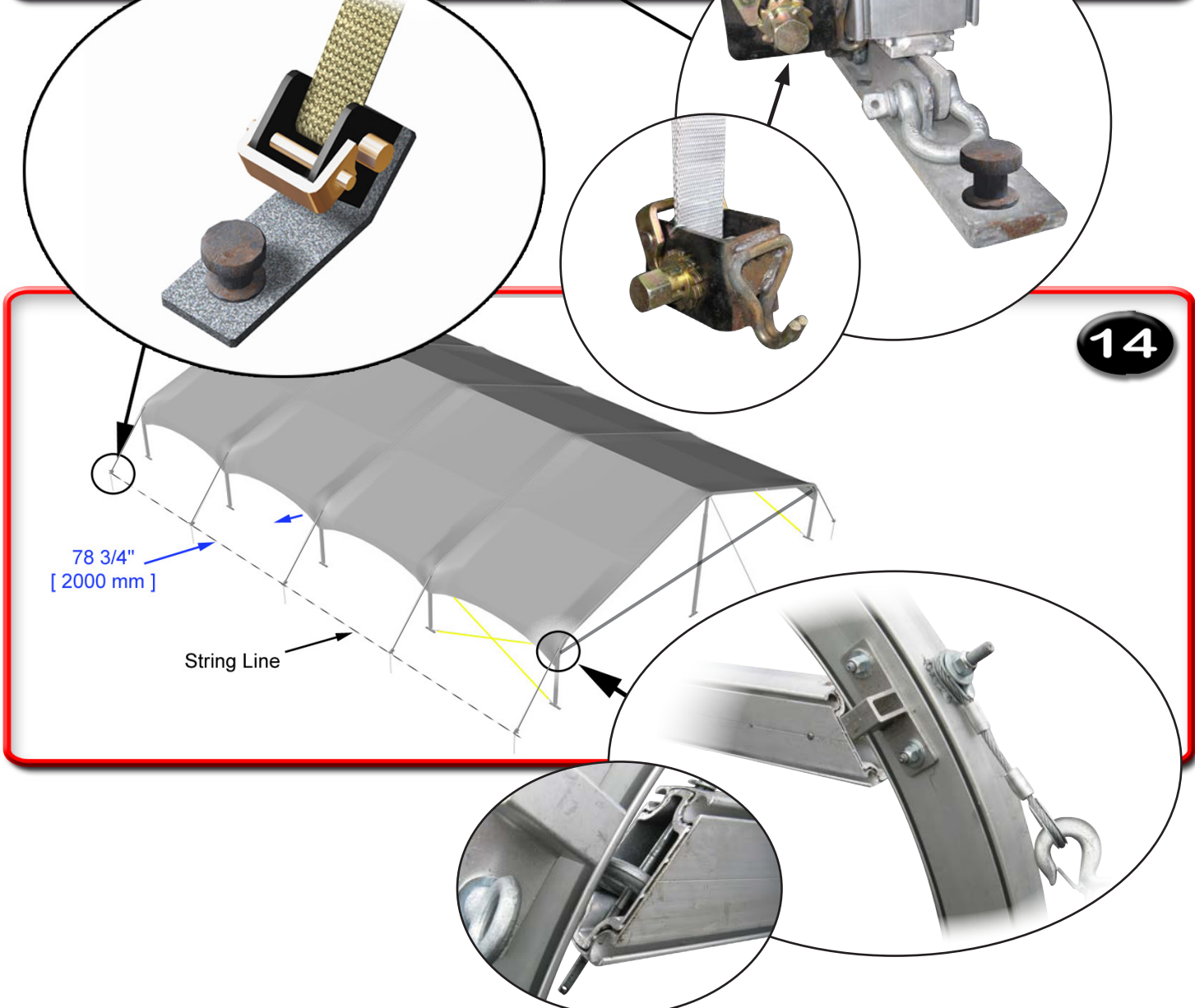
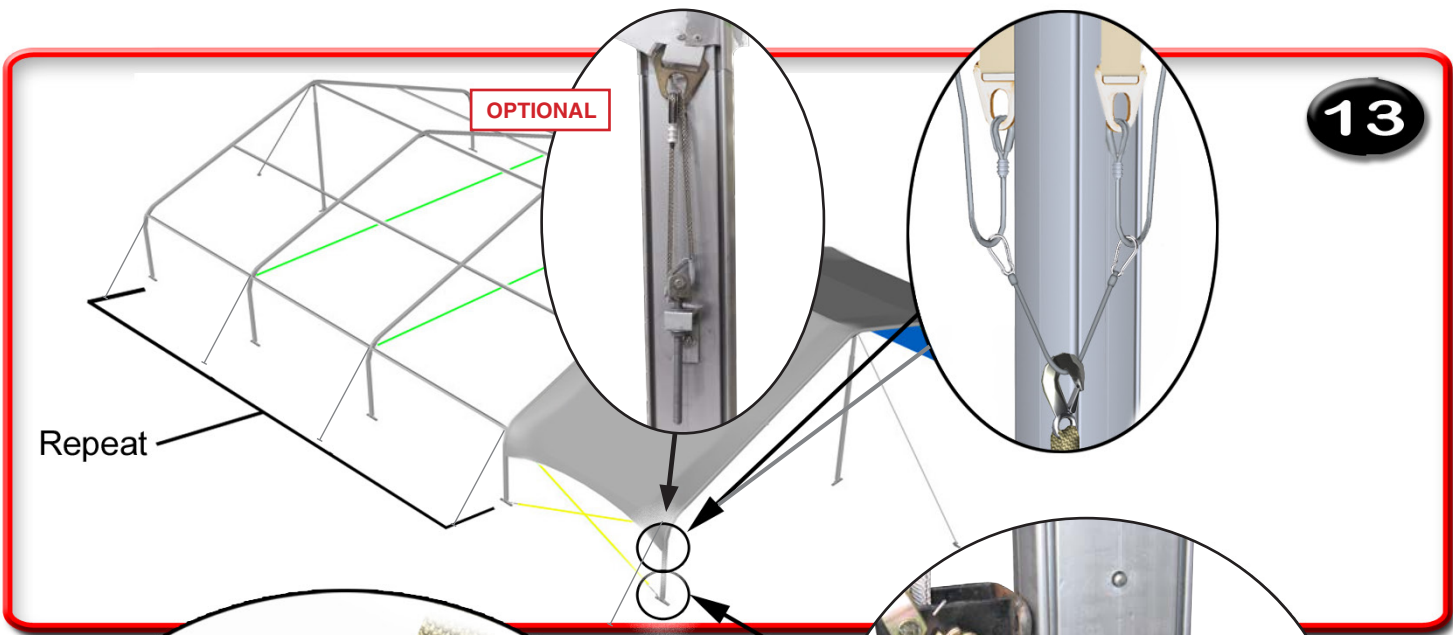
Part #	DESCRIPTION	Rev	PAGE
70.63.100	TSpan Quick Guide	7.0	10 of 15

# T-Peak Center Pole Installation

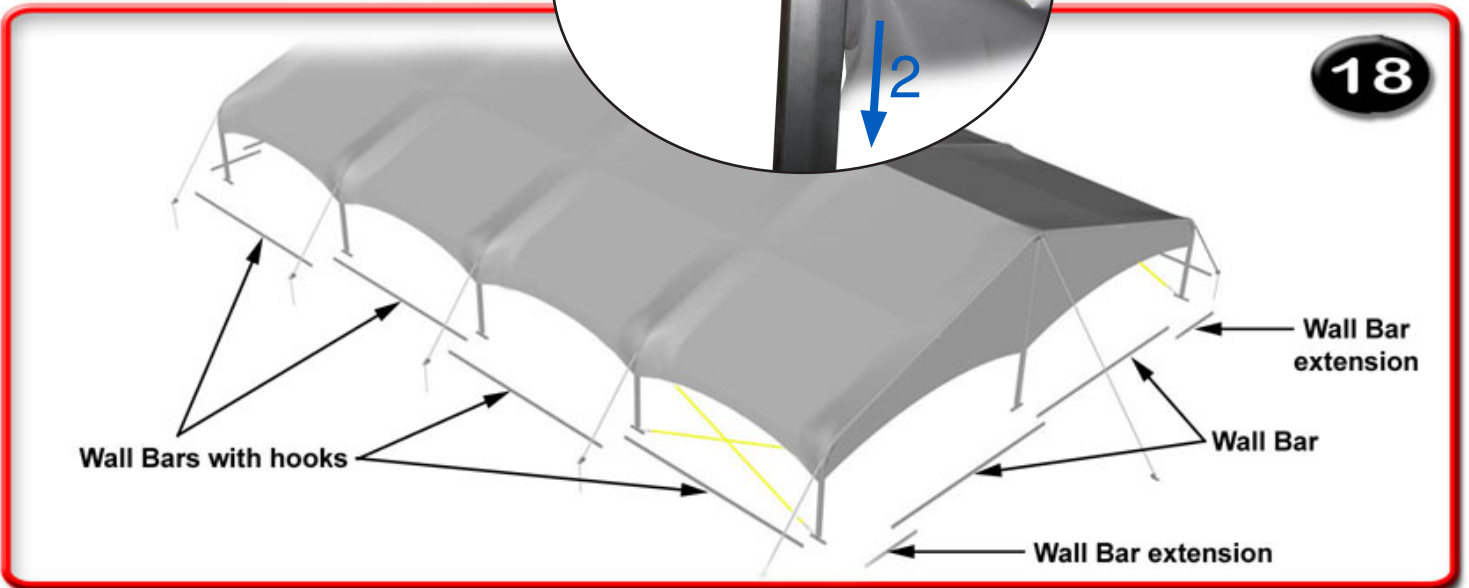
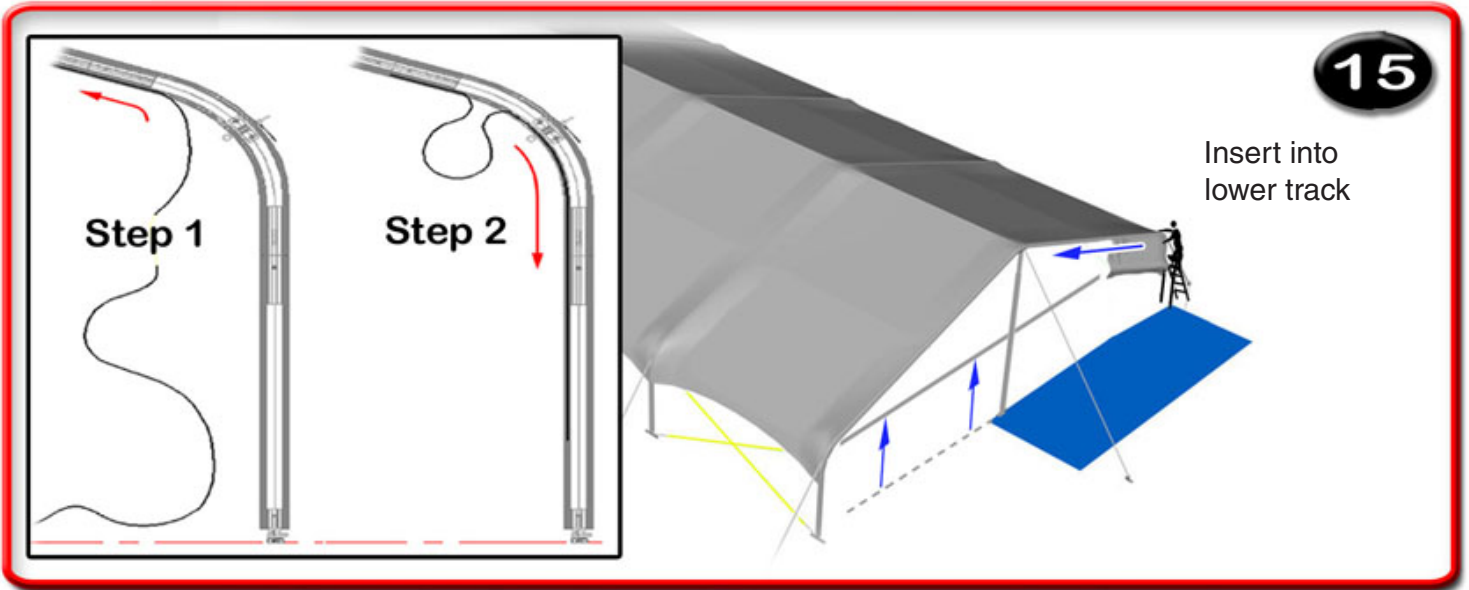




Part #	DESCRIPTION	Rev	PAGE
70.63.100	TSpan Quick Guide	7.0	11 of 15







Part #	DESCRIPTION	Rev	PAGE
70.63.100	TSpan Quick Guide	7.0	13 of 15

**OPTIONAL**

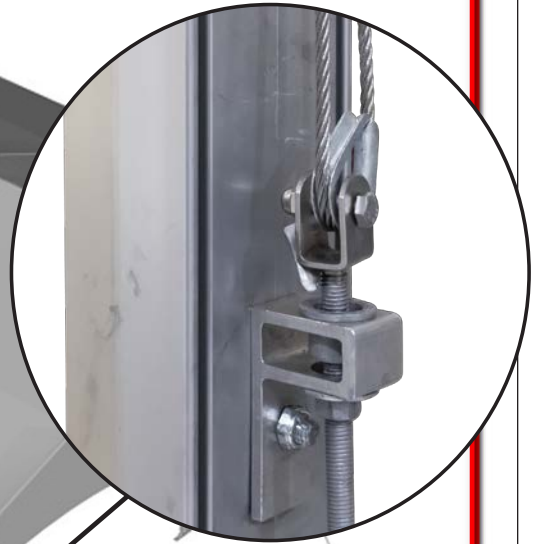
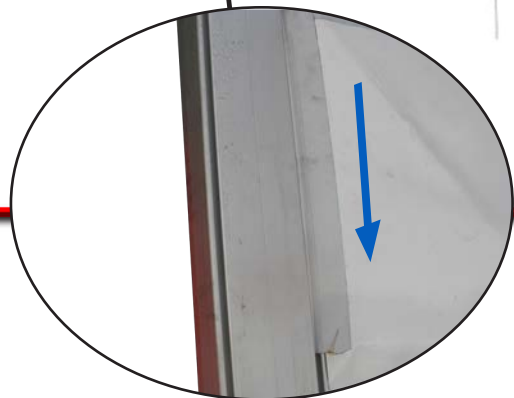
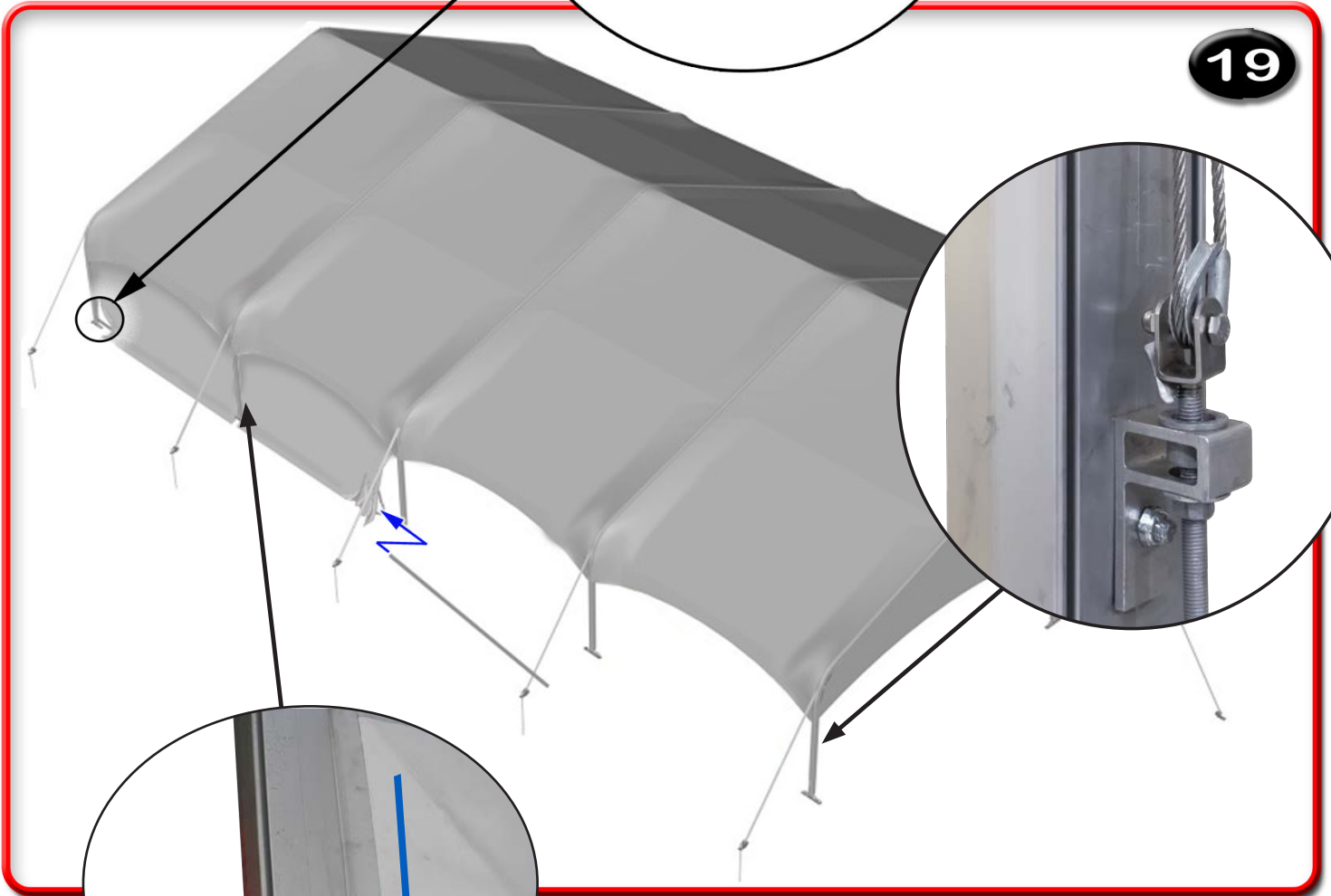


**LUBRICATE LIBERALLY  
WITH ANTI-SEIZE**

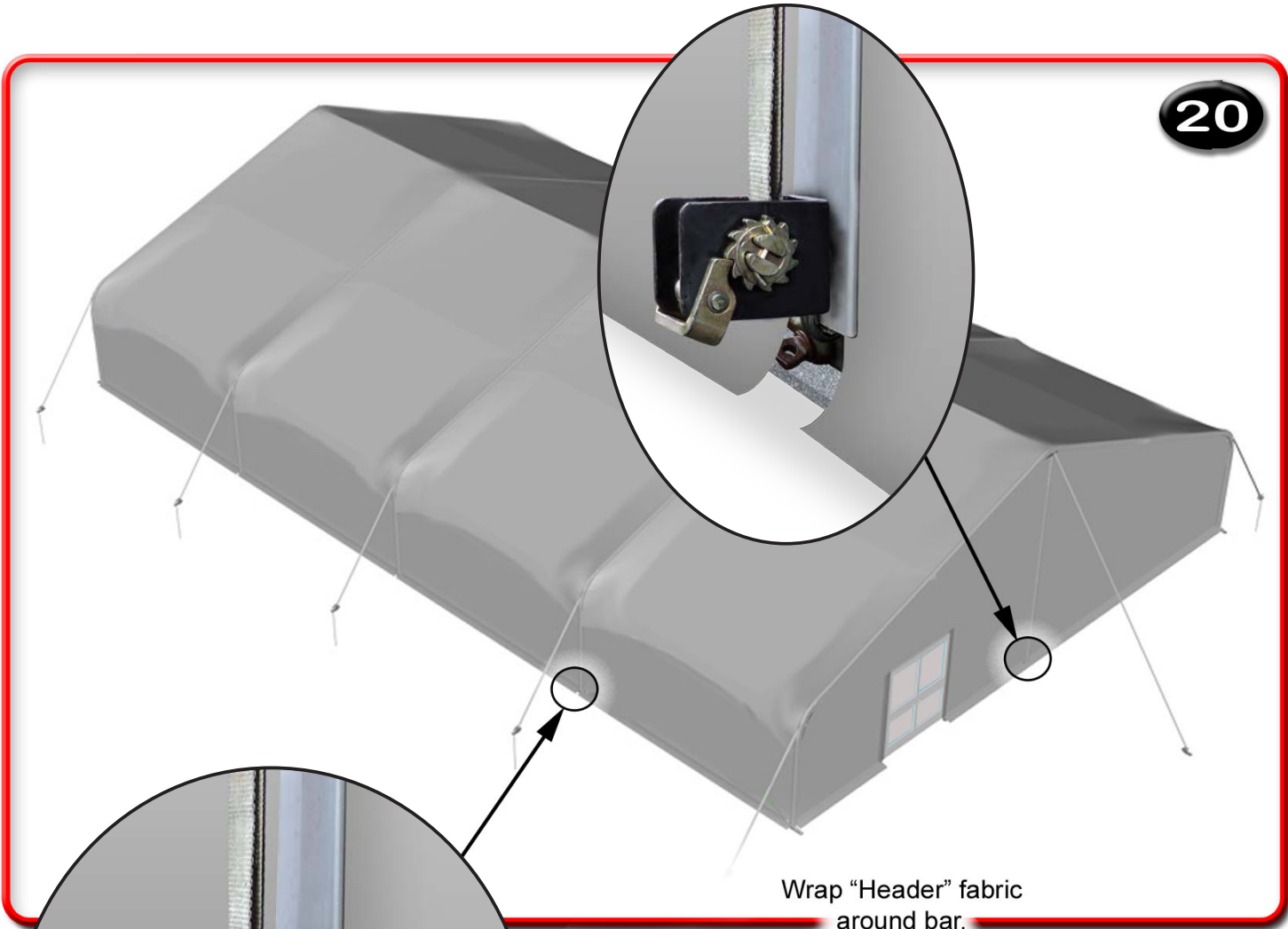


**NO POWER  
TOOLS**

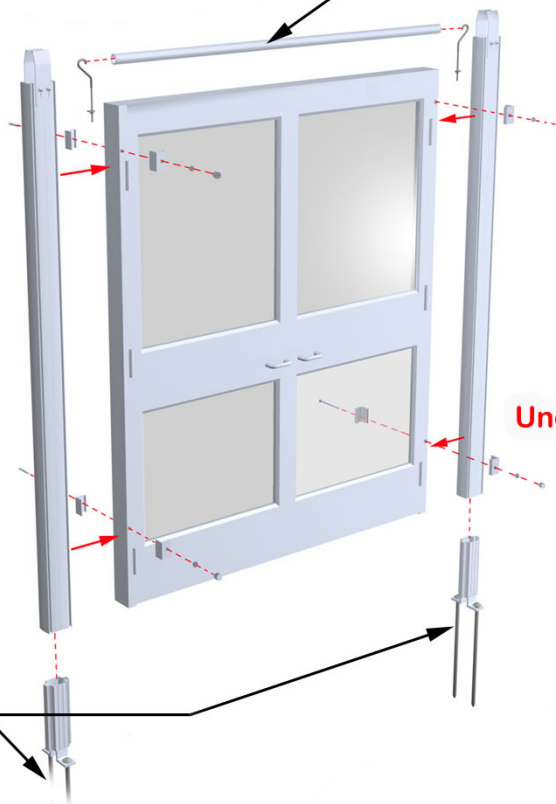
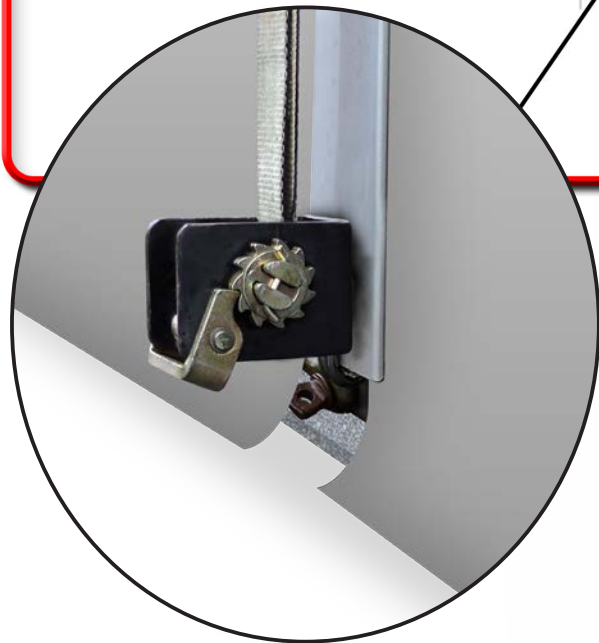
**19**



Part #	DESCRIPTION	Rev	PAGE
70.63.100	TSpan Quick Guide	7.0	14 of 15



Wrap "Header" fabric around bar.



Anchorage will vary for soil & surface conditions.



Underground Electrical Hazard

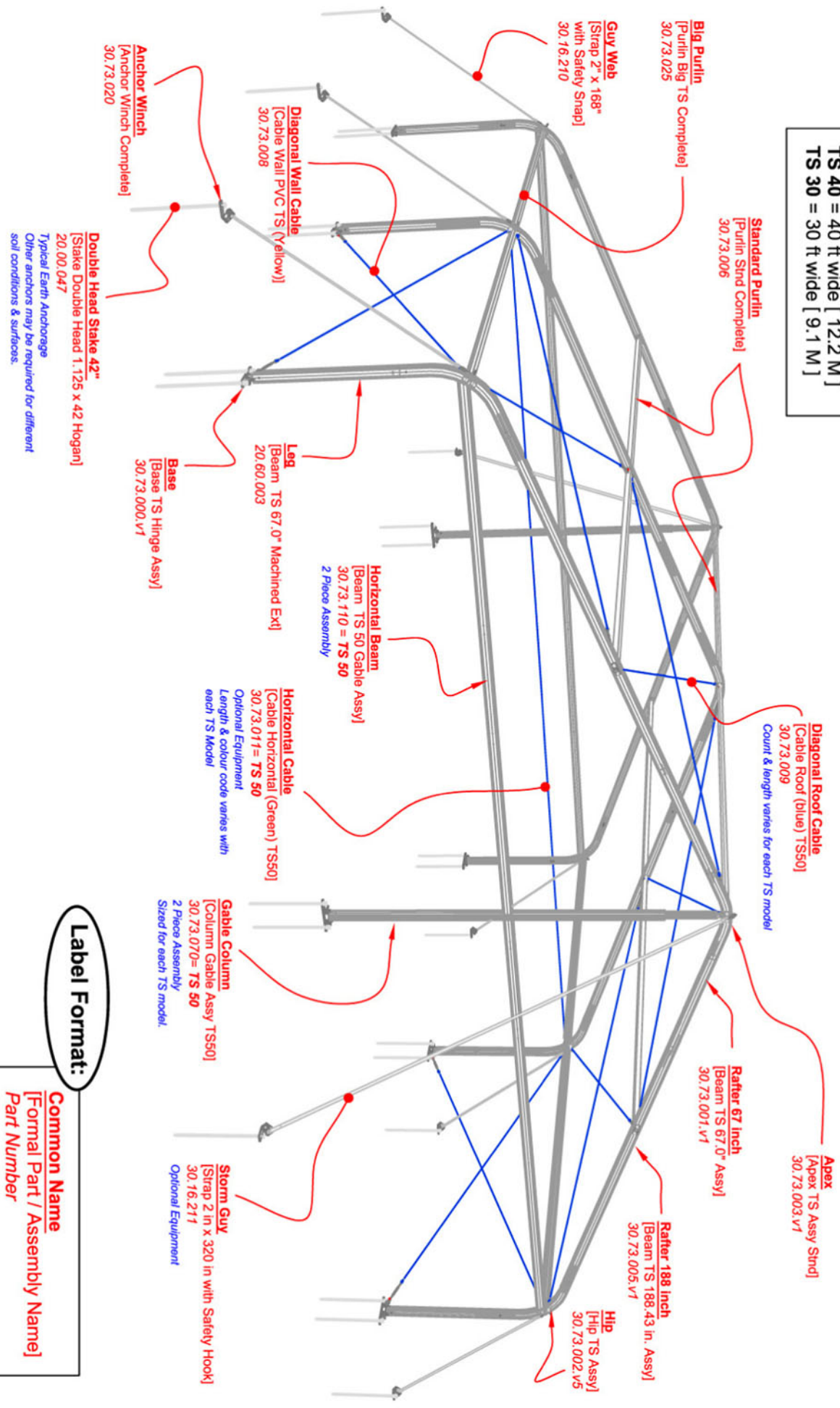




# Tentnology Techno Span (TS) Frame Parts Identification

Standard Models: \_\_\_\_\_

TS 50 = 50 ft wide [15.24 M]  
 TS 40 = 40 ft wide [12.2 M]  
 TS 30 = 30 ft wide [9.1 M]



**Label Format:**

**Common Name**  
[Formal Part / Assembly Name]  
**Part Number**  
**Comment**