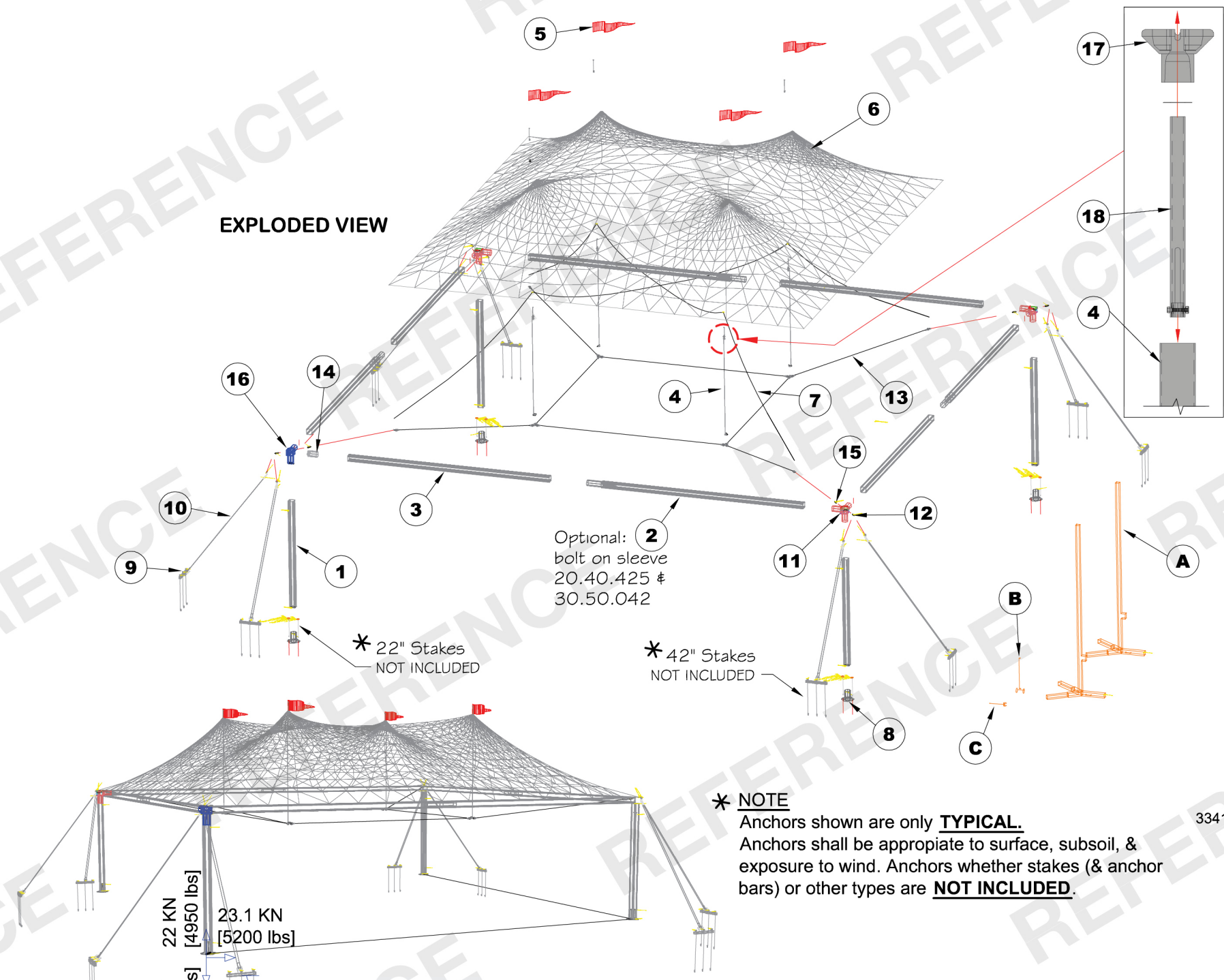
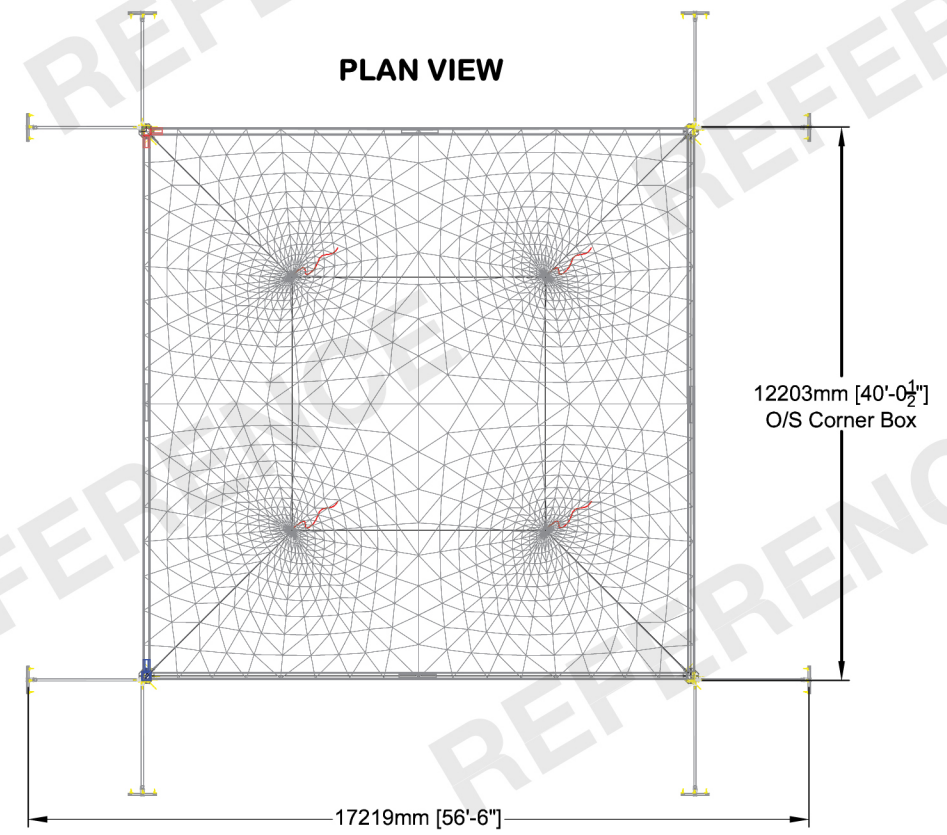


EXPLODED VIEW

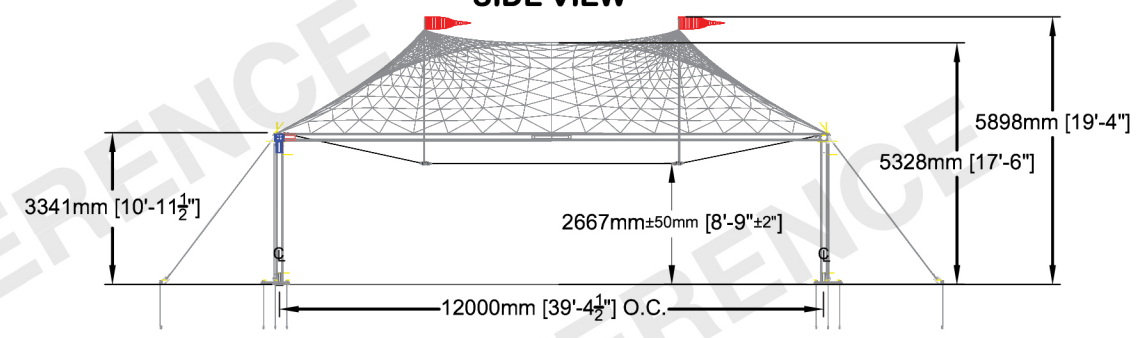


Rev #	Date	By	Description
1	26Apr2012	KM	add breakdown of mega mast assembly on BOM, add mast assembly image
2	07Mar2014	KM	add note optional: bolt on sleeve for mega male 30.50.030

PLAN VIEW



SIDE VIEW



*** NOTE**
 Anchors shown are only **TYPICAL**.
 Anchors shall be appropriate to surface, subsoil, & exposure to wind. Anchors whether stakes (& anchor bars) or other types are **NOT INCLUDED**.

22 KN [4950 lbs]
 23.1 KN [5200 lbs]
 2.4 KN [543 lbs]
 20.3 KN [4570 lbs]

Max Reaction Forces (lbf) @ 115MPH.
 Assumptions:
 1. Guy line pretension = 500lb
 2. 3 Walls on

This drawing is for reference purposes only. Contact Tentnology® for specific details and site requirements.

Canada Patent 2,261,537, USA 6,345,638, Europe 1,055,042 and other foreign patents pending. Mega Tent® is a registered trade name of Tentnology in Canada, USA, Mexico, Korea

Leveling is important. To insure proper drainage: (1) Columns shall be vertical. (2) Base plates shall be at same elevation (level). Block all base plates to bring them up to the elevation of highest if necessary. (3) Install approx. 1000 lb pretension in each guy-wire, keeping columns precisely vertical. Best accomplished by thirds @ opposite corners.

Designed to meet or exceed the following requirements: Design Wind IBC-2003 115 MPH Basic Wind Speed(Temporary) - NBC 4.1.7; TUV: DIN 4112 Wind pressure 0.5 Kpa; Fire - ULC S109, Calif.Fire Marshall, & M2. User Note: Tent integrity is a direct function of installation quality. Follow installation instructions adding stakes as conditions require. Do not exceed design parameters or local ordinances for public assembly. Stakes & guying indicated on this drawing may or may not be appropriate for soil or site.

tentnology co.

15427 66th Avenue Surrey B.C. Canada V3S 2A1
 Tel: (604) 597-8368 Fax: (604) 597-8749 e-mail: tent@tentnology.com

MEGA 12 X 12M SL
 GENERAL ARRANGEMENT

Project: MEGA SL	Scale: NTS	Sheet No: 1 of 1
Dwg By: KM	Date: 25 AUG 11	File: 50.33.120
Ck'd By: AL/INZ	App'd: <i>GN</i>	